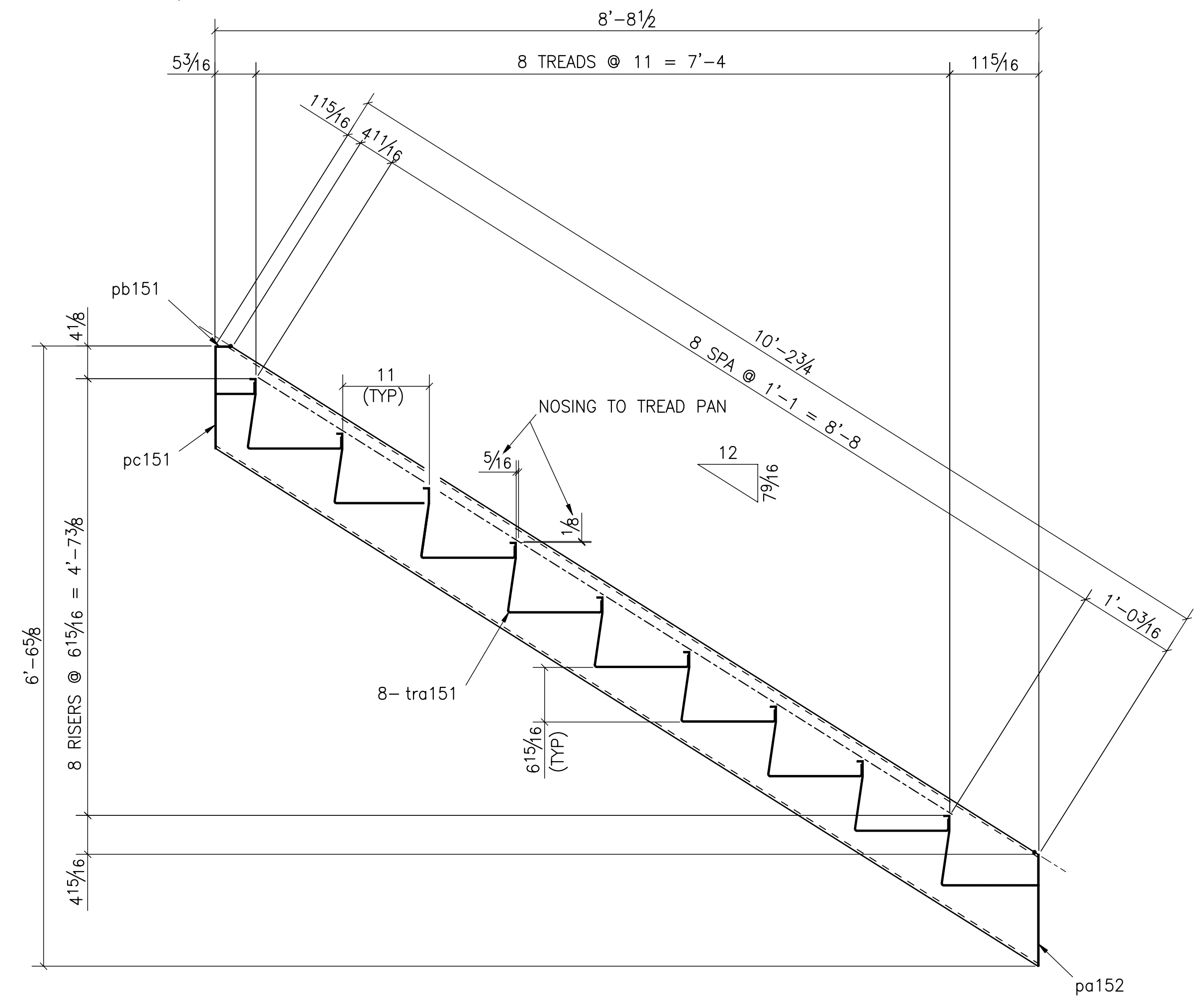
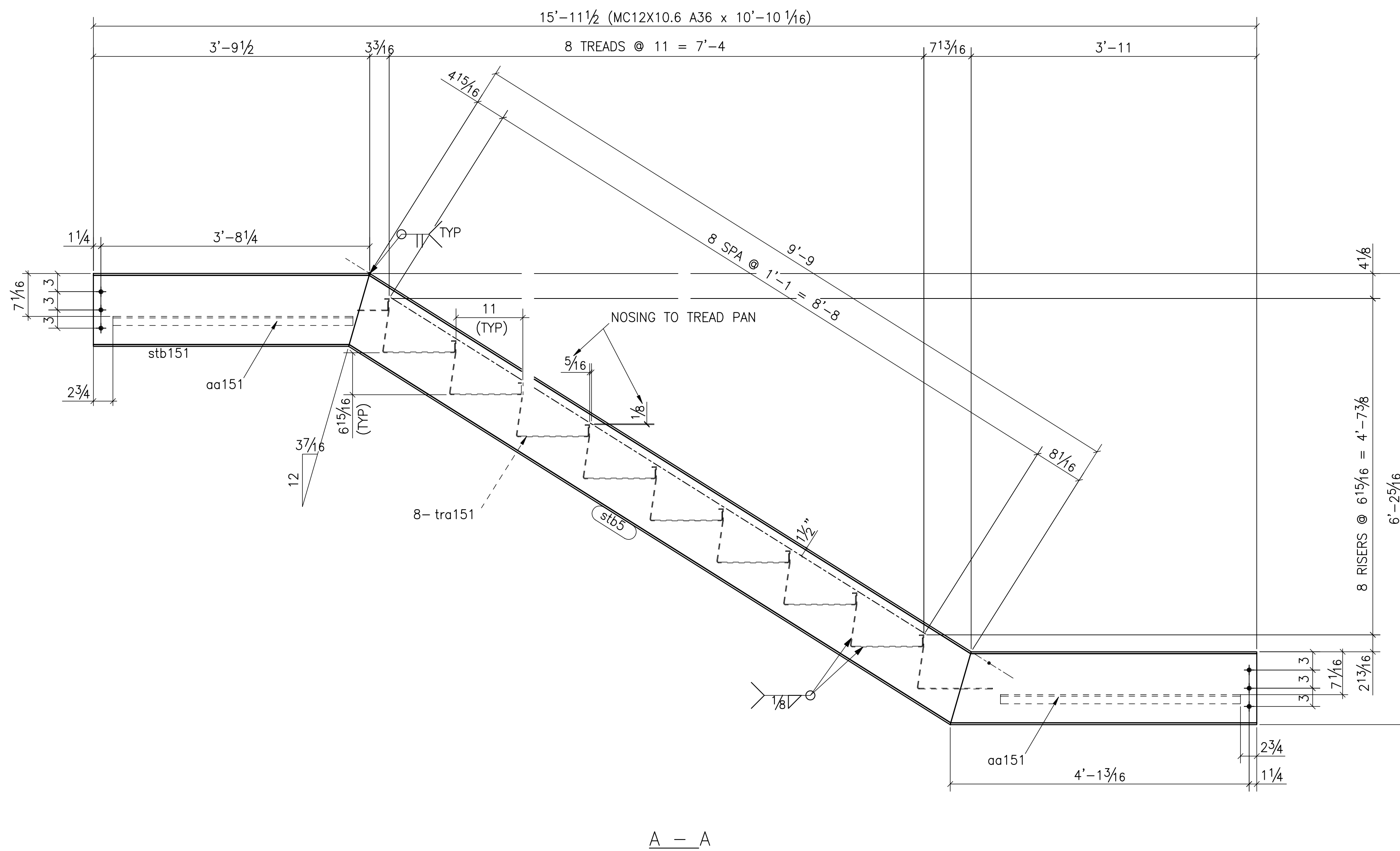


LINE ITEM	SHIPPING LIST			SHAPE	LENGTH	ADV. BILL	REMARKS
	NO. PCS	ASSEMBLY MARK	PART MARK				
1							
2	1	152ST1		MC12X10.6	10'-10 1/16"		A36
3	1		pa152	PL1/8X1 1/2	1'-2 3/16"		
4	1		pb151	PL1/8X1 1/2	0'-2 1/16"		
5	1		pc151	PL1/8X1 1/2	1'-1"		
6	1		sta152	MC12X10.6	4'-2 7/16"		
7	1		stb5	MC12X10.6	10'-0 7/16"		
8	1		stb151	MC12X10.6	3'-9 1/2"		
9	8		tra151	PL1/8X22 5/8	3'-8"		
10	1		tra152	PL1/8X21 3/4	3'-8"		
11	1		trc151	PL1/8X6 7/16	3'-8"		
12	2		aa151	L1-1/2X1-1/2X1/4	3'-1 1/2"		



- SHOP NOTE:**
1. WIDE FLANGE SECTIONS SHOULD CONFORM TO ASTM A992
 2. PLATES, ANGLES & CHANNEL SECTIONS SHOULD CONFORM TO ASTM A36.
 3. TUBE SECTIONS SHOULD CONFORM ASTM 500 GR. B FY=46KSI.
 4. ALL CIRCULAR PIPE SECTIONS SHOULD CONFORM TO ASTM A 53 GR. B
 5. ALL HOLES ARE 13/16" DIA U.N.O.
 6. ALL FRAMING BOLTS ARE 3/4" DIA A325N GRADE U.N.O.

ONE STRINGER 152ST1