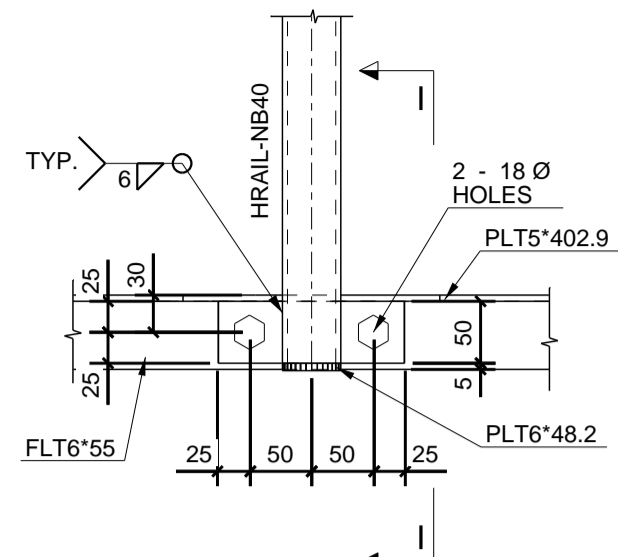
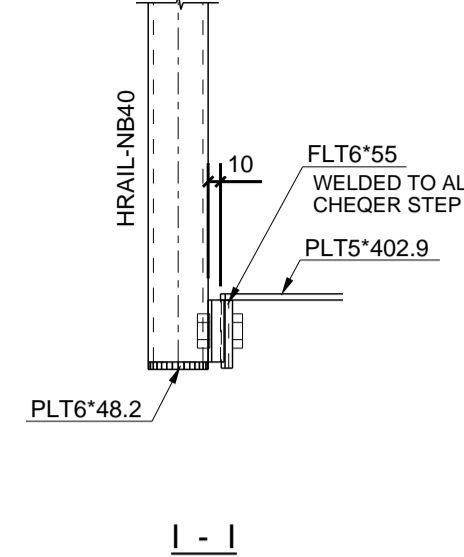


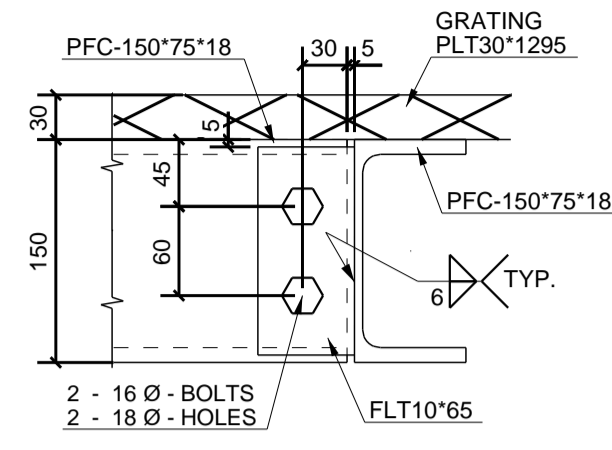
G - G
E01



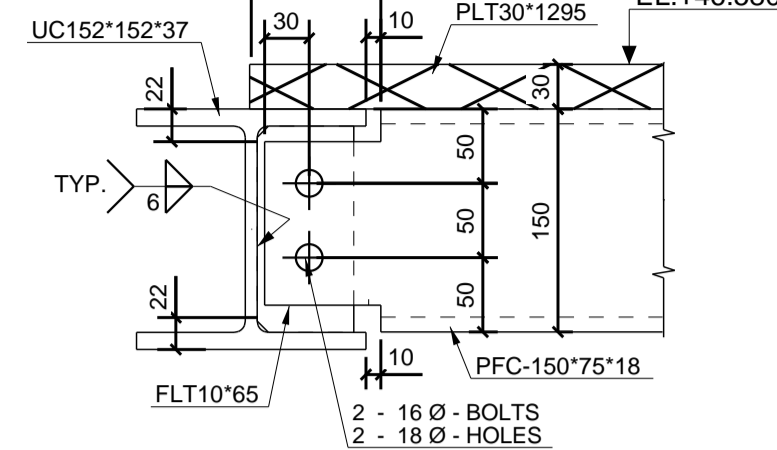
H - H
E01



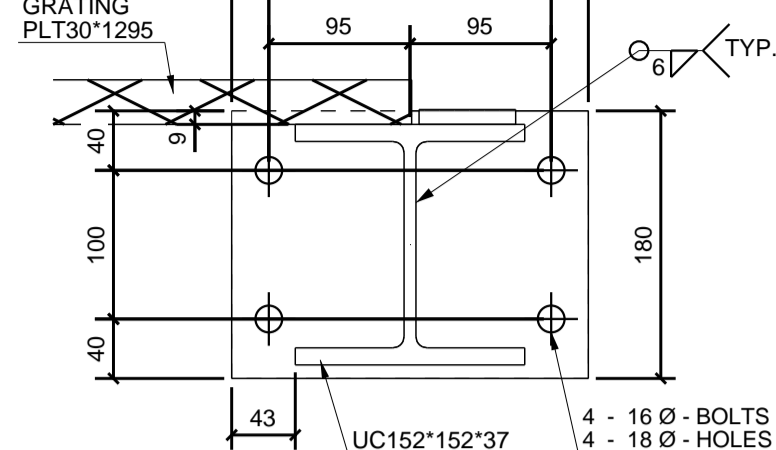
I - I



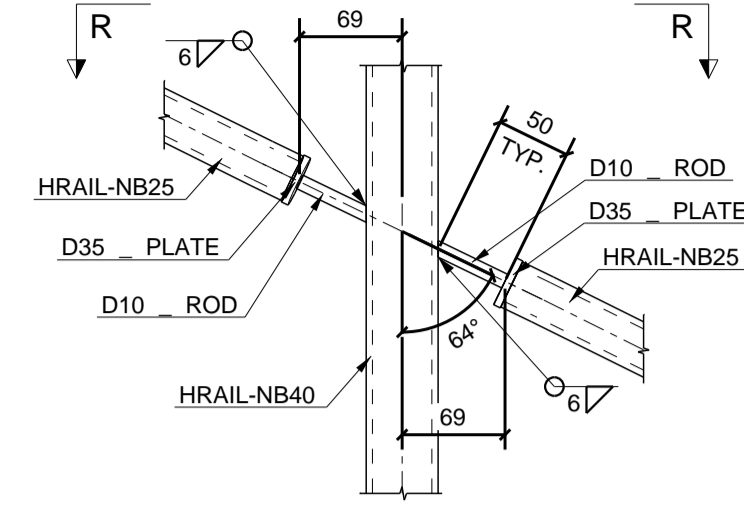
J - J
E01



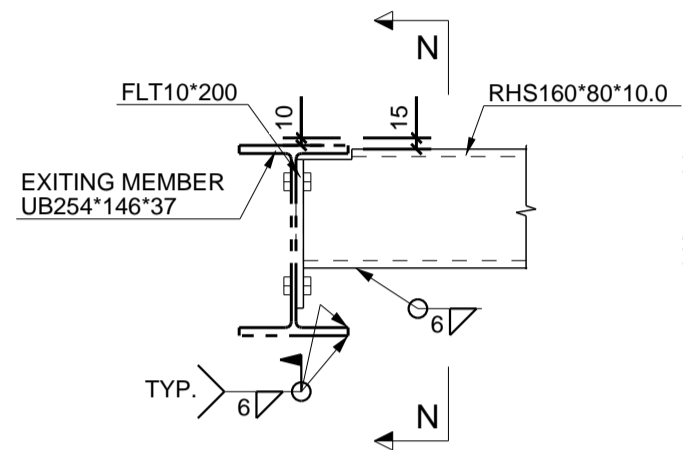
K - K
E01



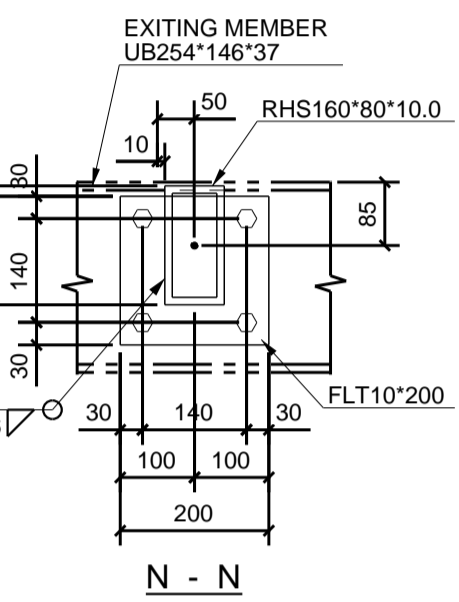
L - L
E01



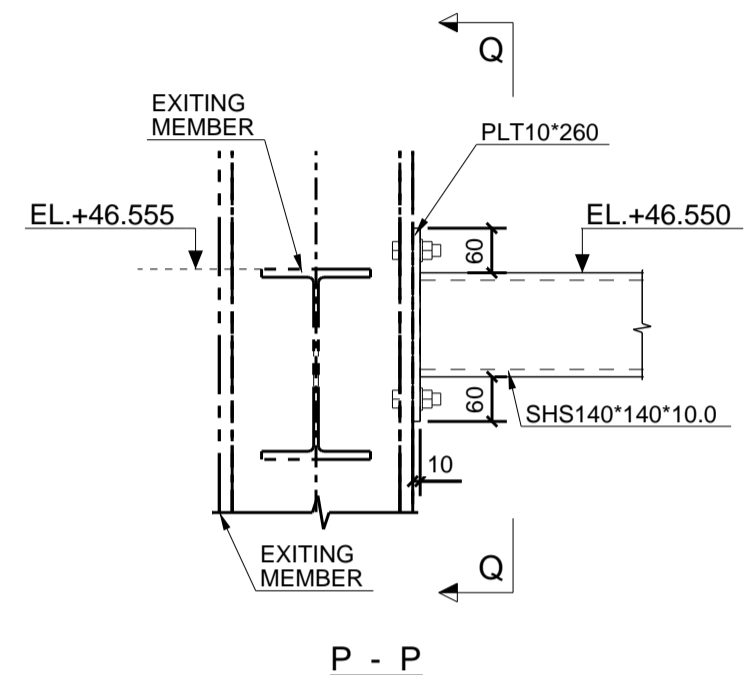
DETAIL B
E01



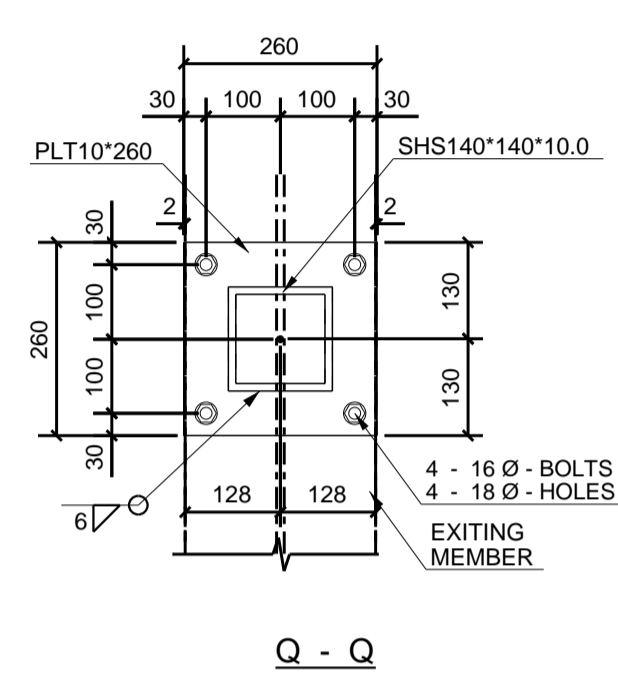
M - M
E01



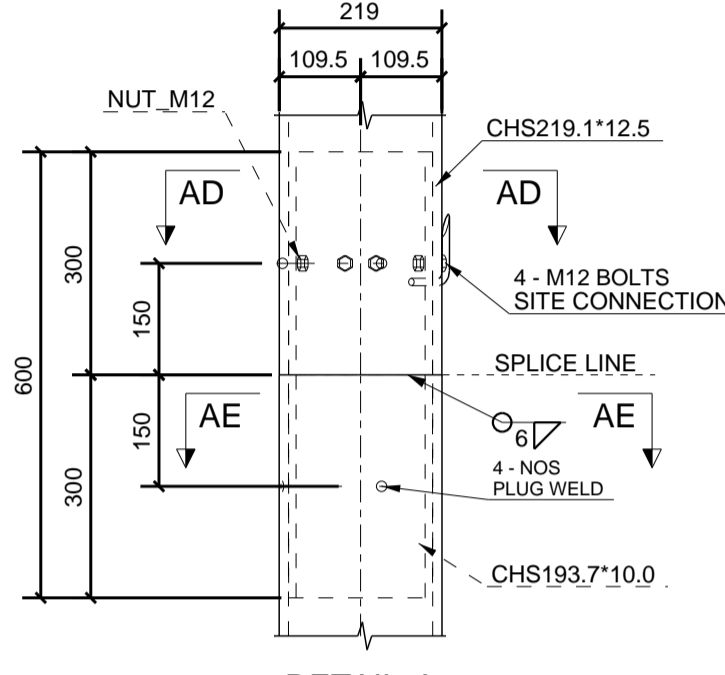
N - N



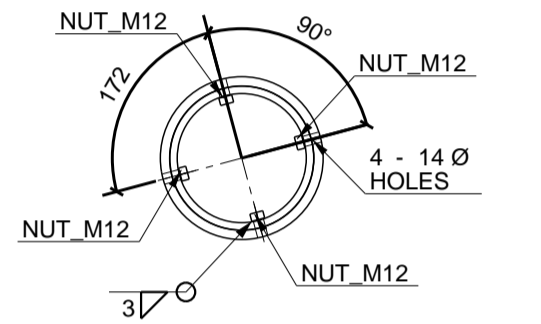
P - P
E01



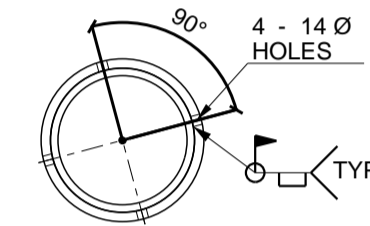
Q - Q



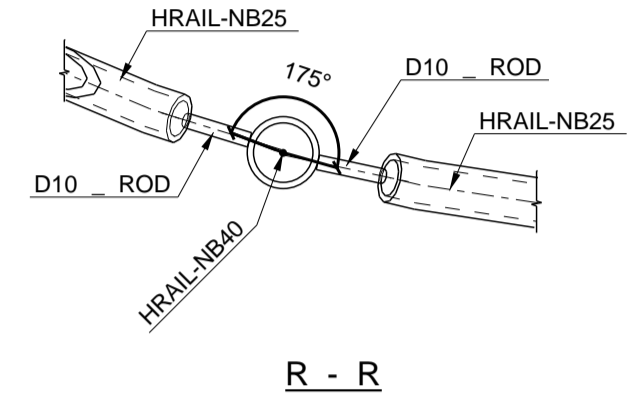
DETAIL A
E01



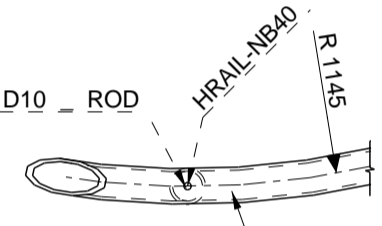
AD - AD



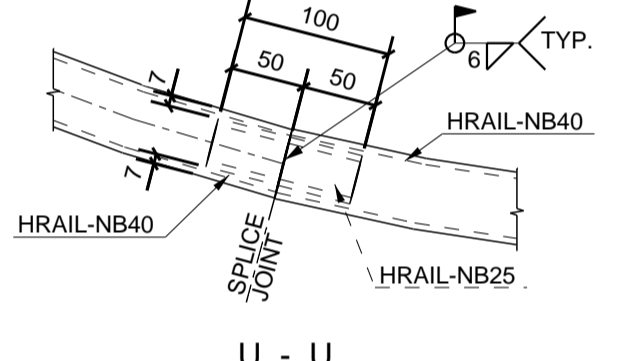
AE - AE



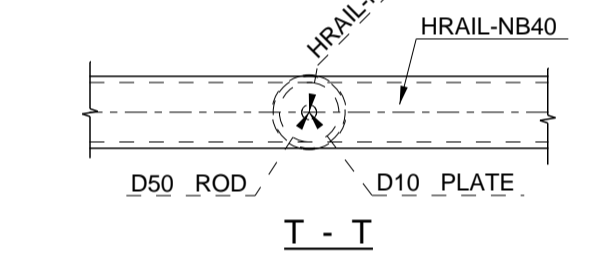
R - R



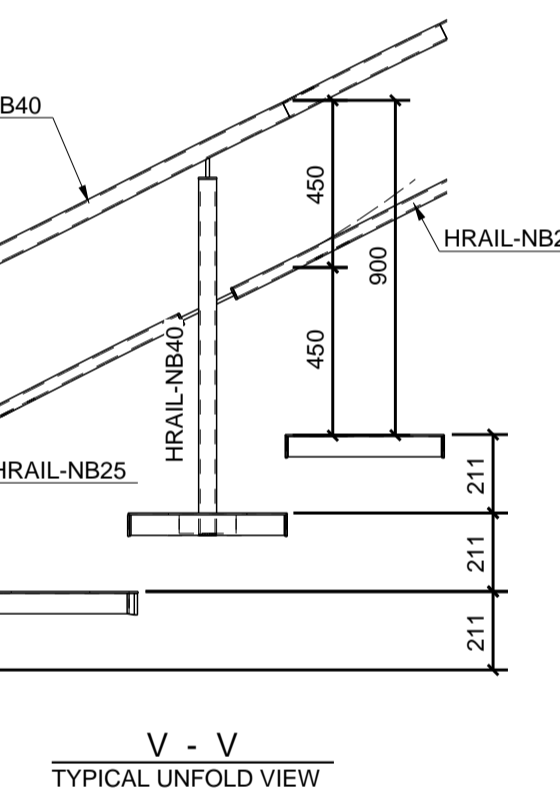
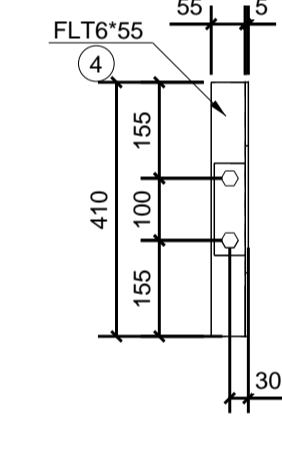
S - S



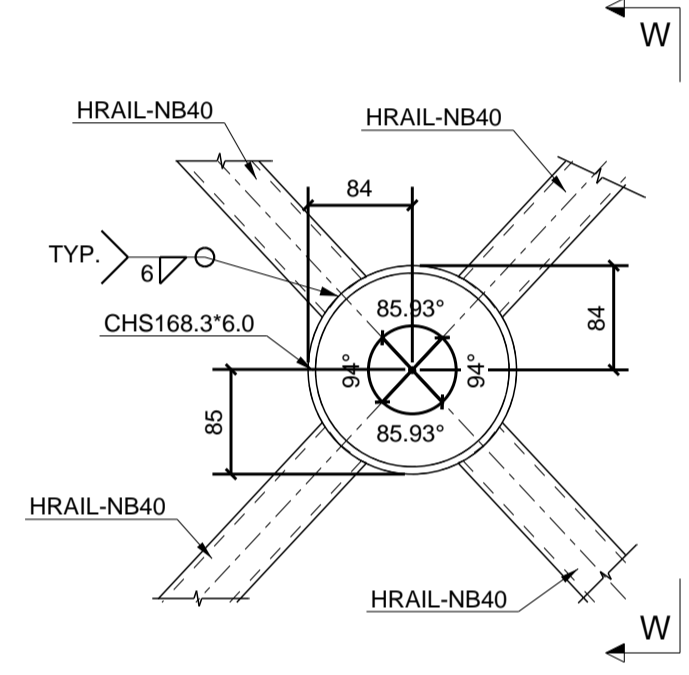
U - U



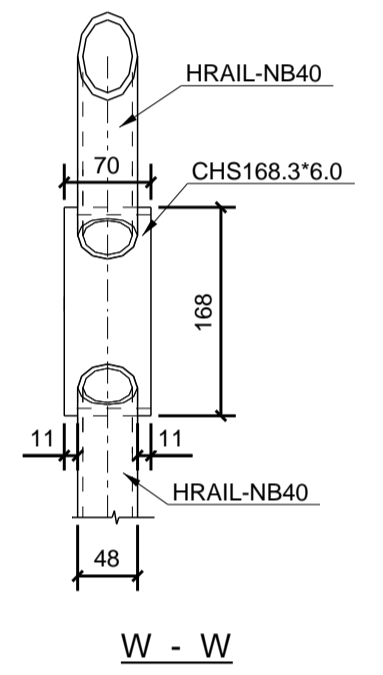
T - T



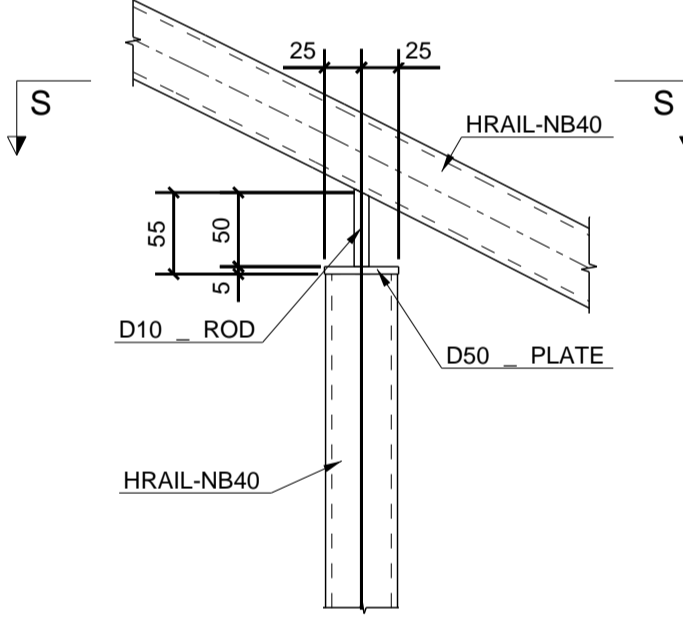
V - V
TYPICAL UNFOLD VIEW



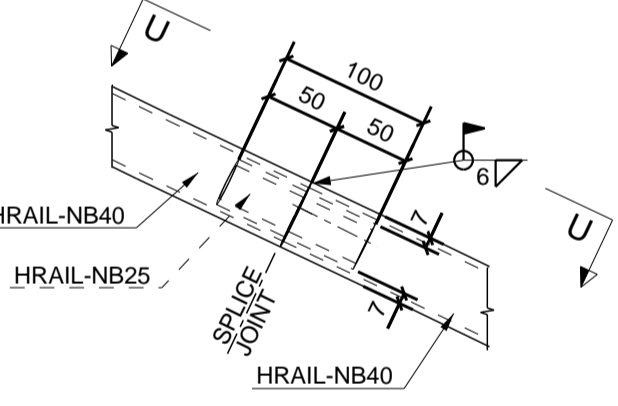
DETAIL F
E01



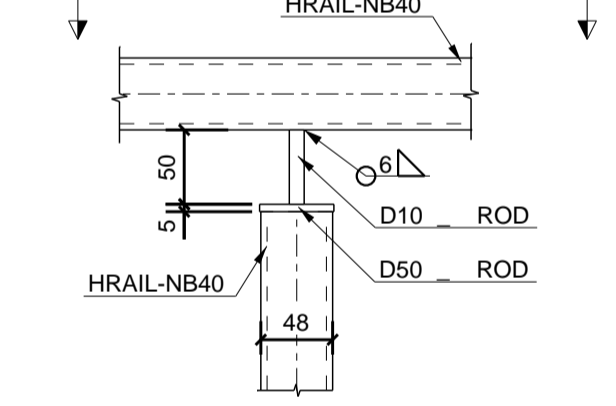
W - W



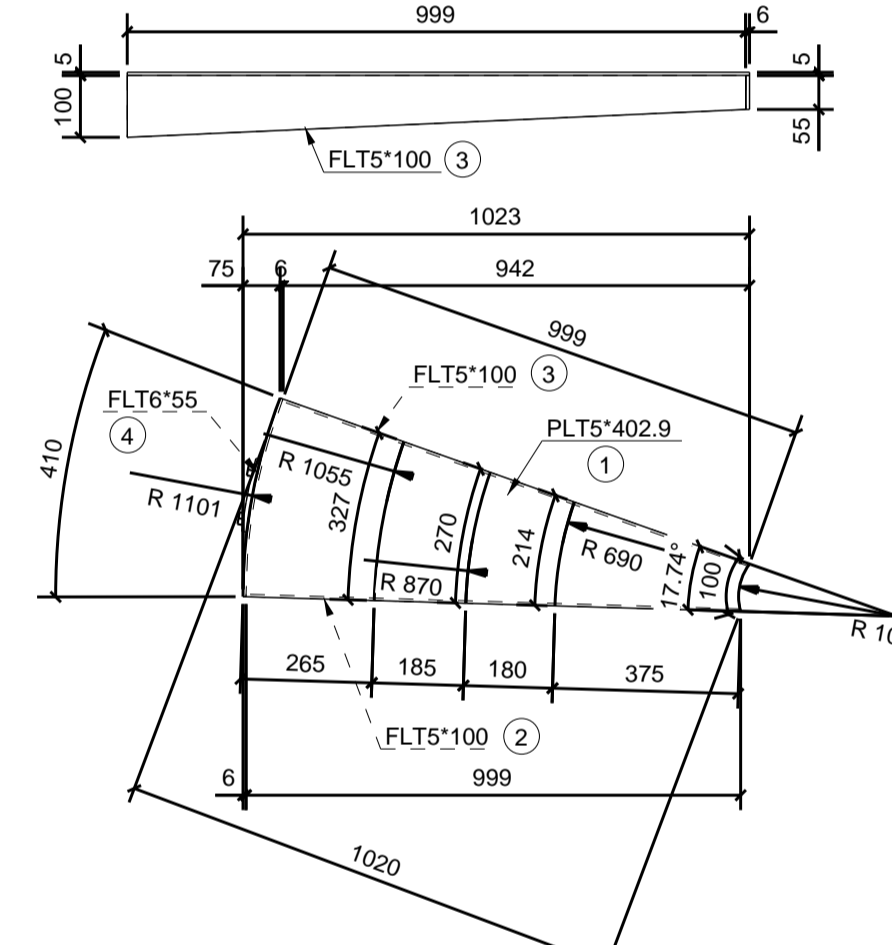
DETAIL C
E01



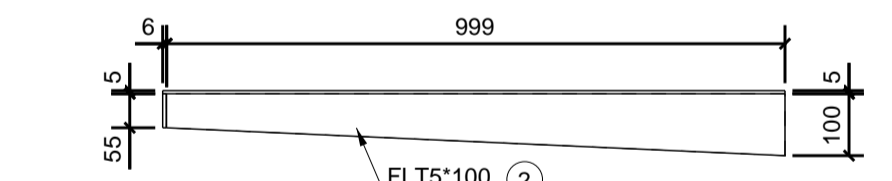
DETAIL E
E01



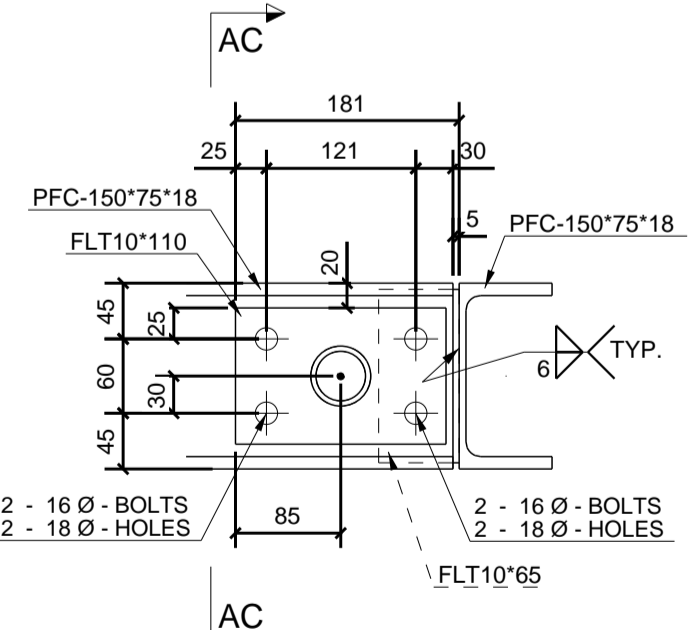
DETAIL D
E01



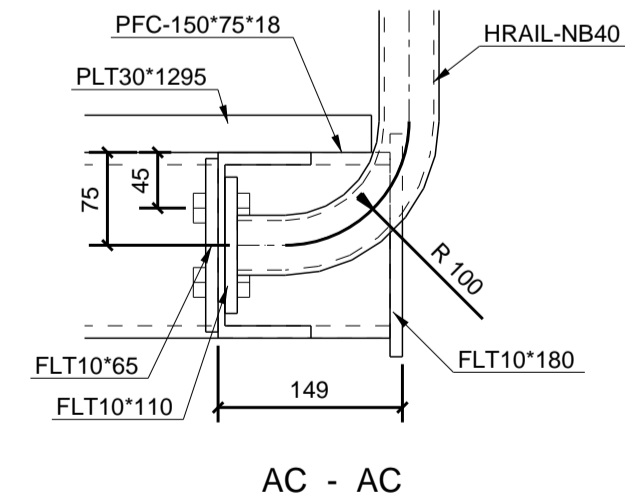
TYPICAL TREADED DETAILS
E01



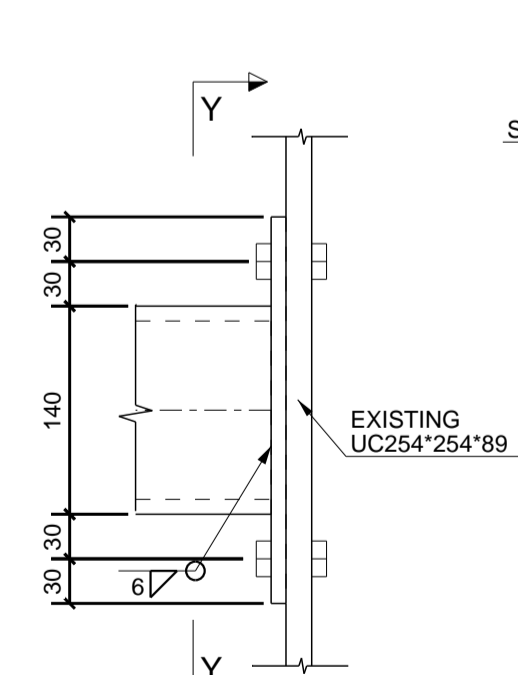
TYPICAL INNER RAIL DETAIL



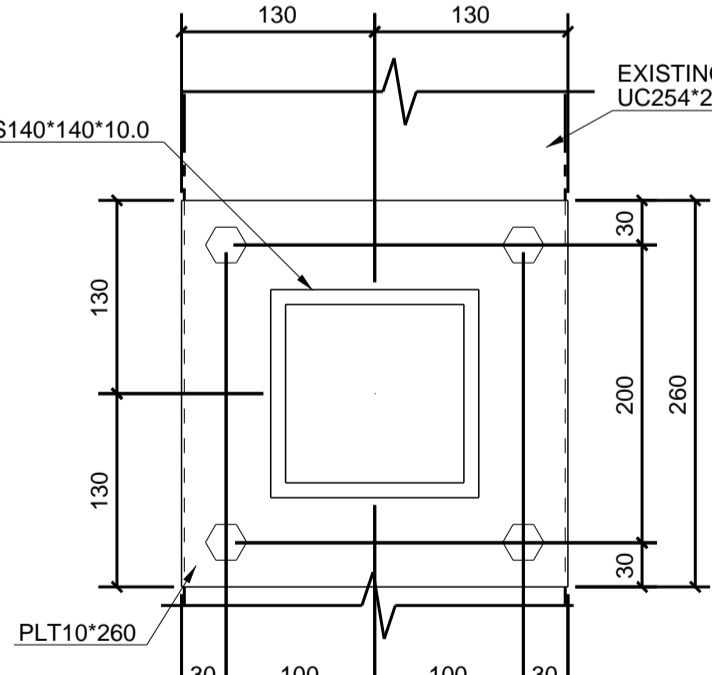
AA - AA
E01



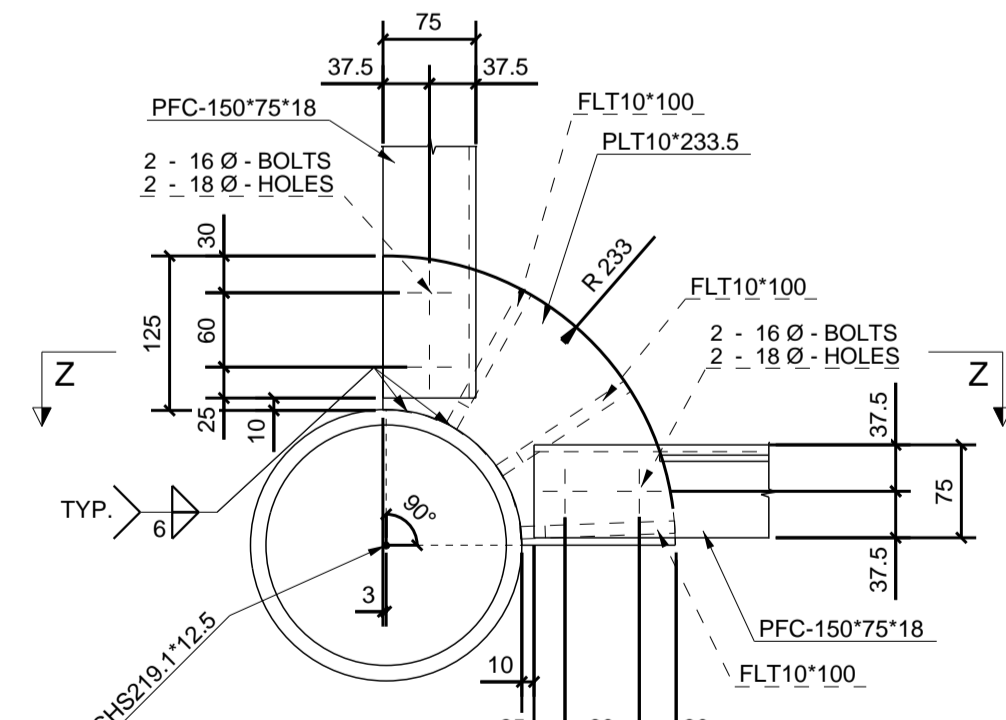
AC - AC



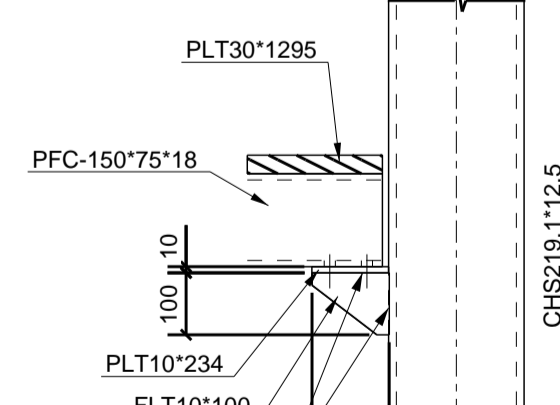
DETAIL G
E01



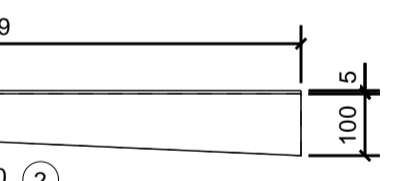
Y - Y



DETAIL H
E01



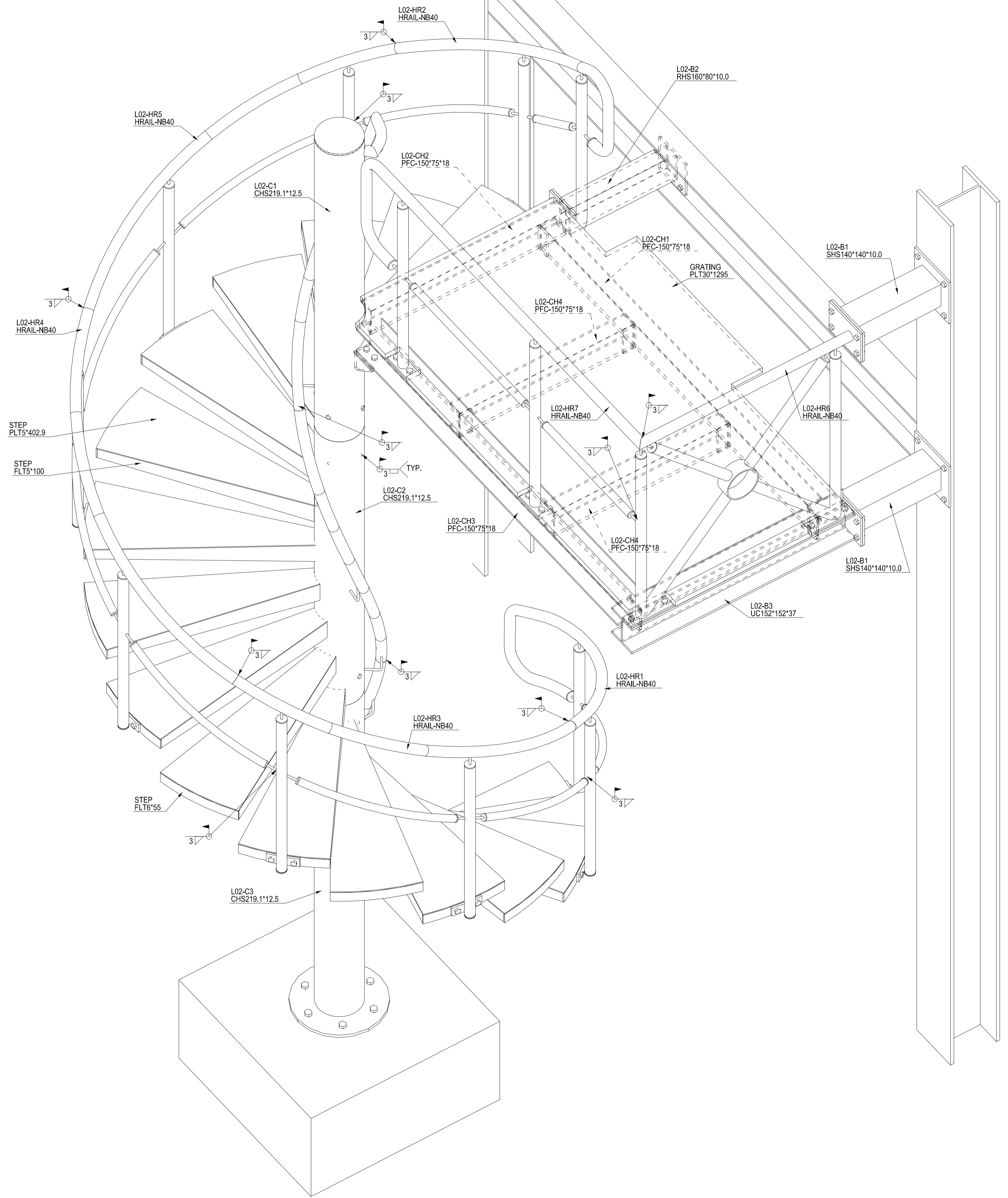
Z - Z



NOTE :-
1. ALL MEMBER ARE S275 MATERIALS.
2. ALL MEMBER ARE HOT DIP GALVANISED.
3. HANDRAIL ARRENGEMENT.

SAMPLE

REV MARK	REVISION DESCRIPTION	REVISION DATE
AREA 8 _ SPIRAL STAIRS		
DRAWING TITLE	ISSUE DATE	
CONTRACT	SCALE 1:5 1:6 1:10	
MODELLED BY	REVISION No.	
CONTRACT NO		
DRAWING No		



FINAL 3D VIEW

SAMPLE

REV MARK	REVISION DESCRIPTION	REVISION DATE
AREA 8 _ SPIRAL STAIRS		
DRAWING TITLE		
CONTRACT		
MODELLED BY		ISSUE DATE
CONTRACT NO		SCALE 1:10
DRAWING No		REVISION No.