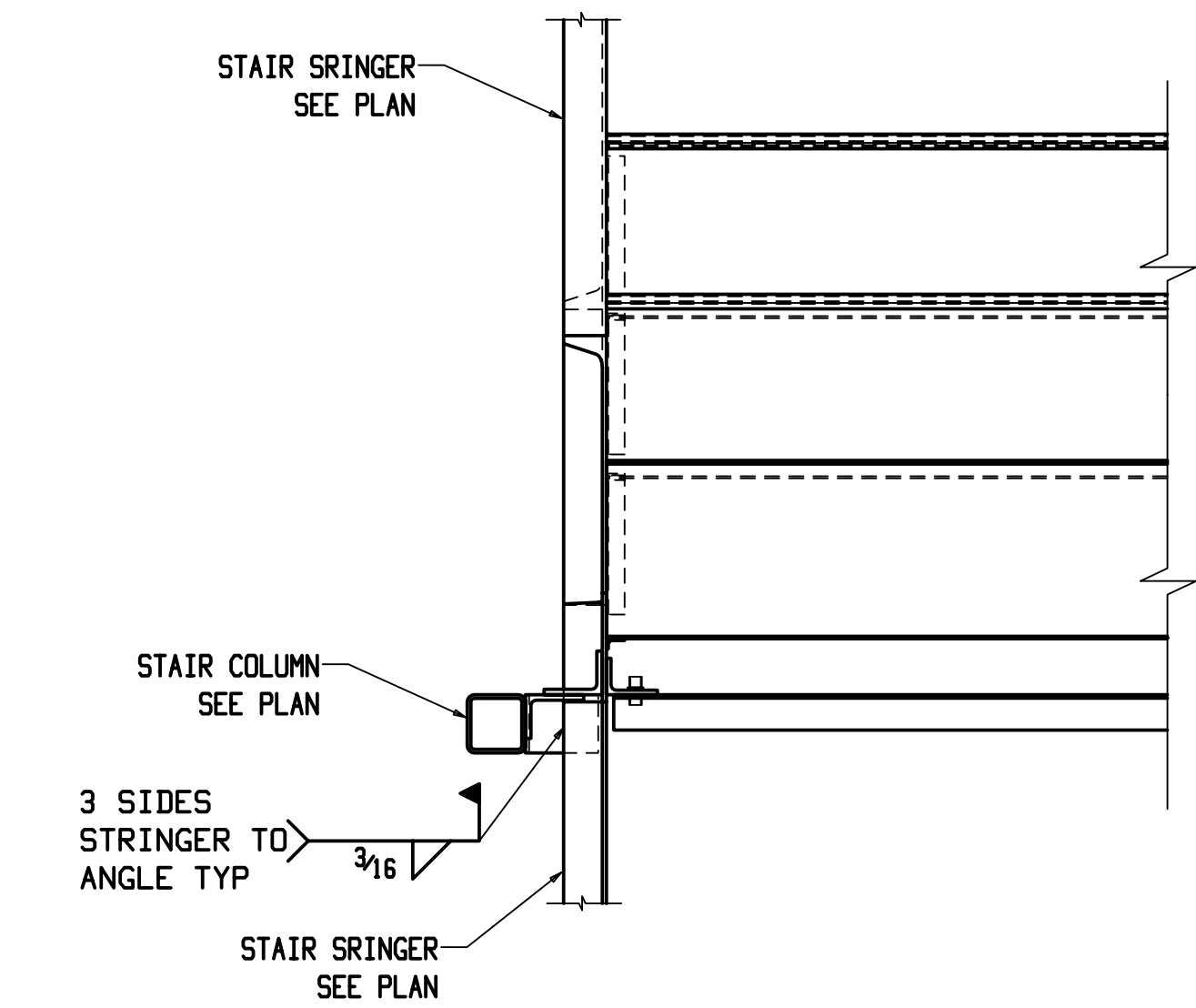
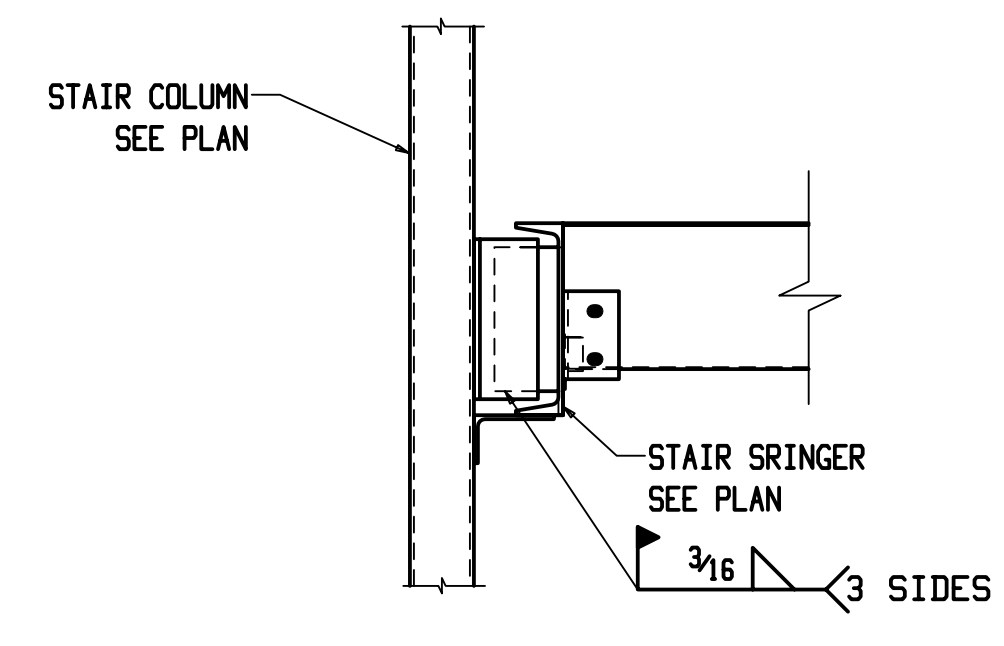


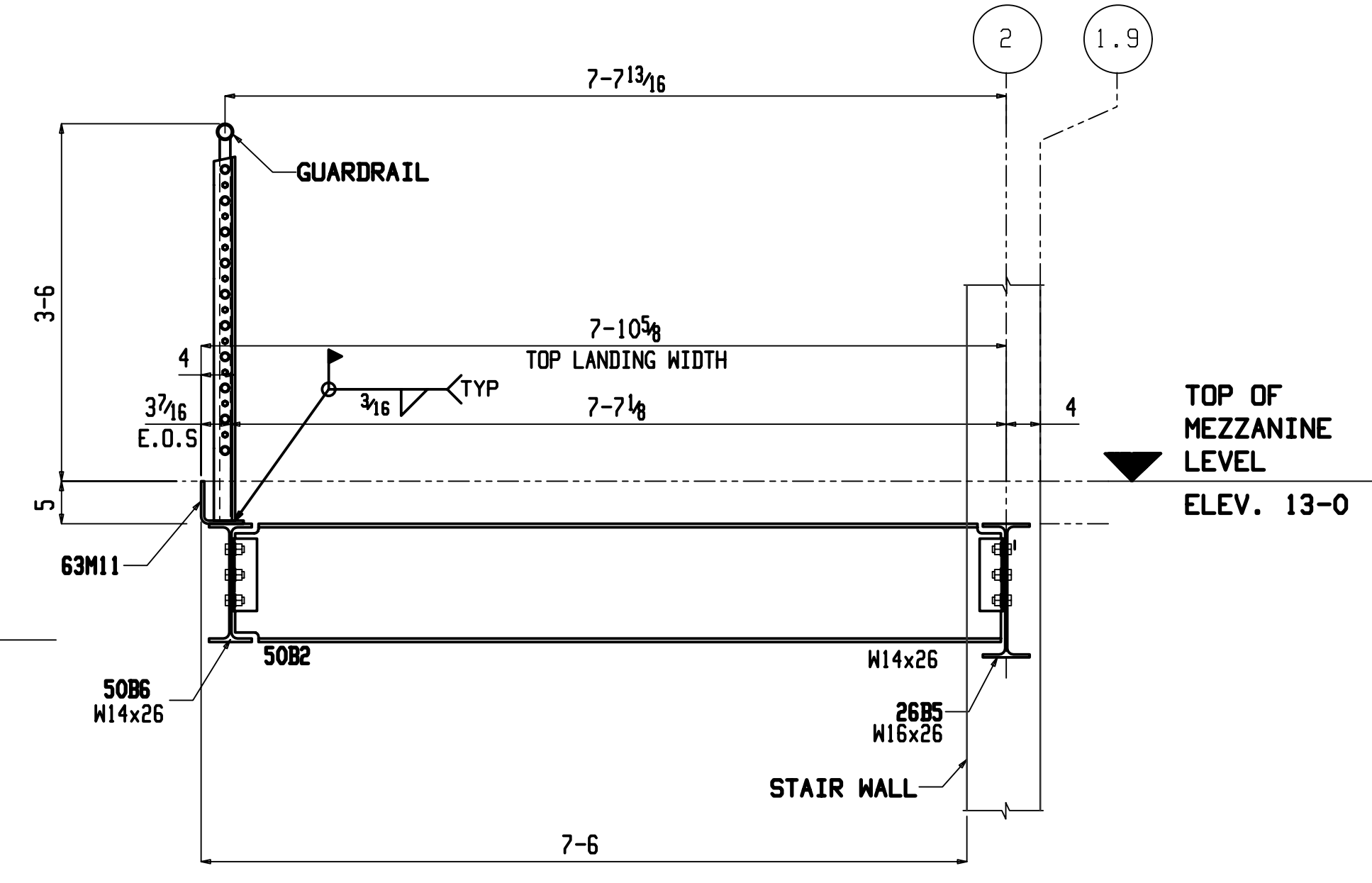
SECTION ~3-3



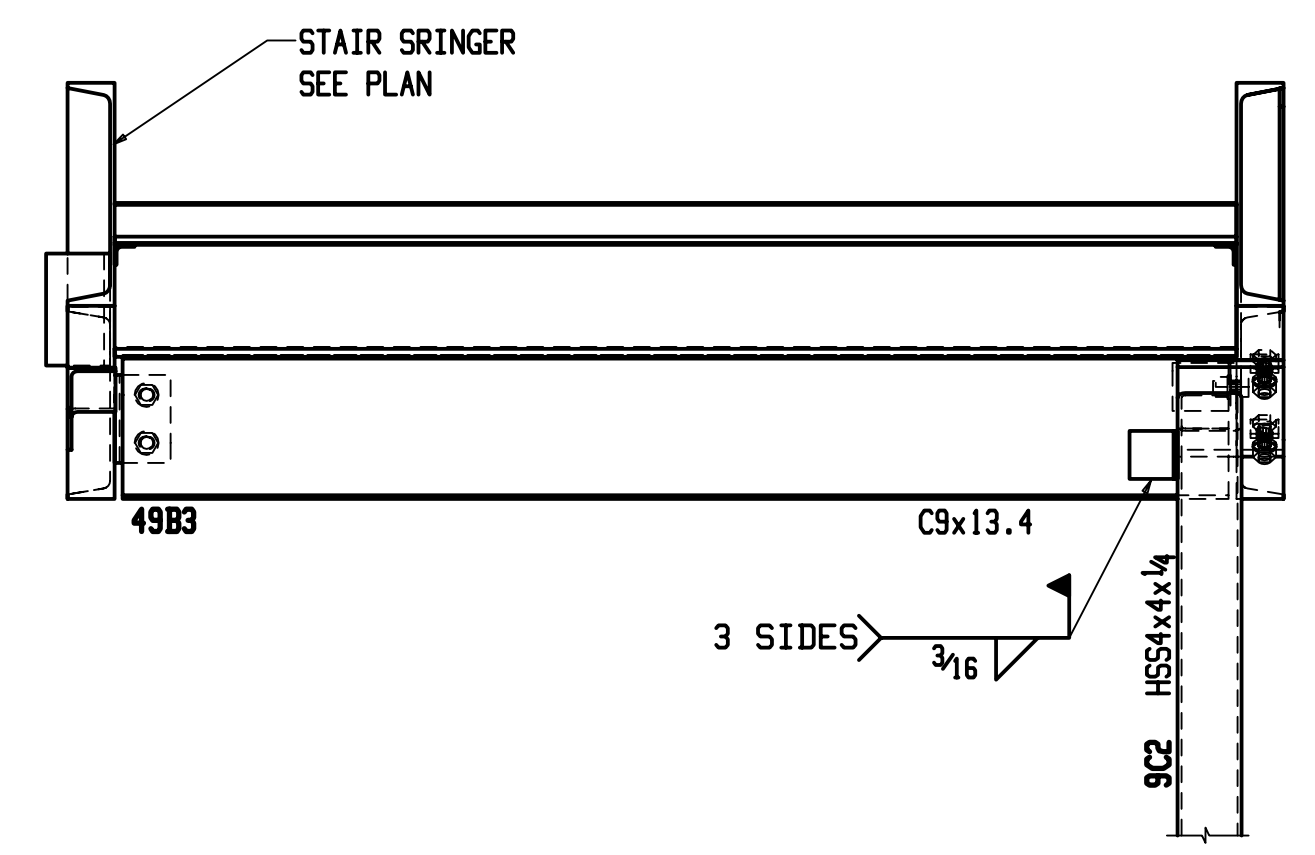
SECTION 6~6



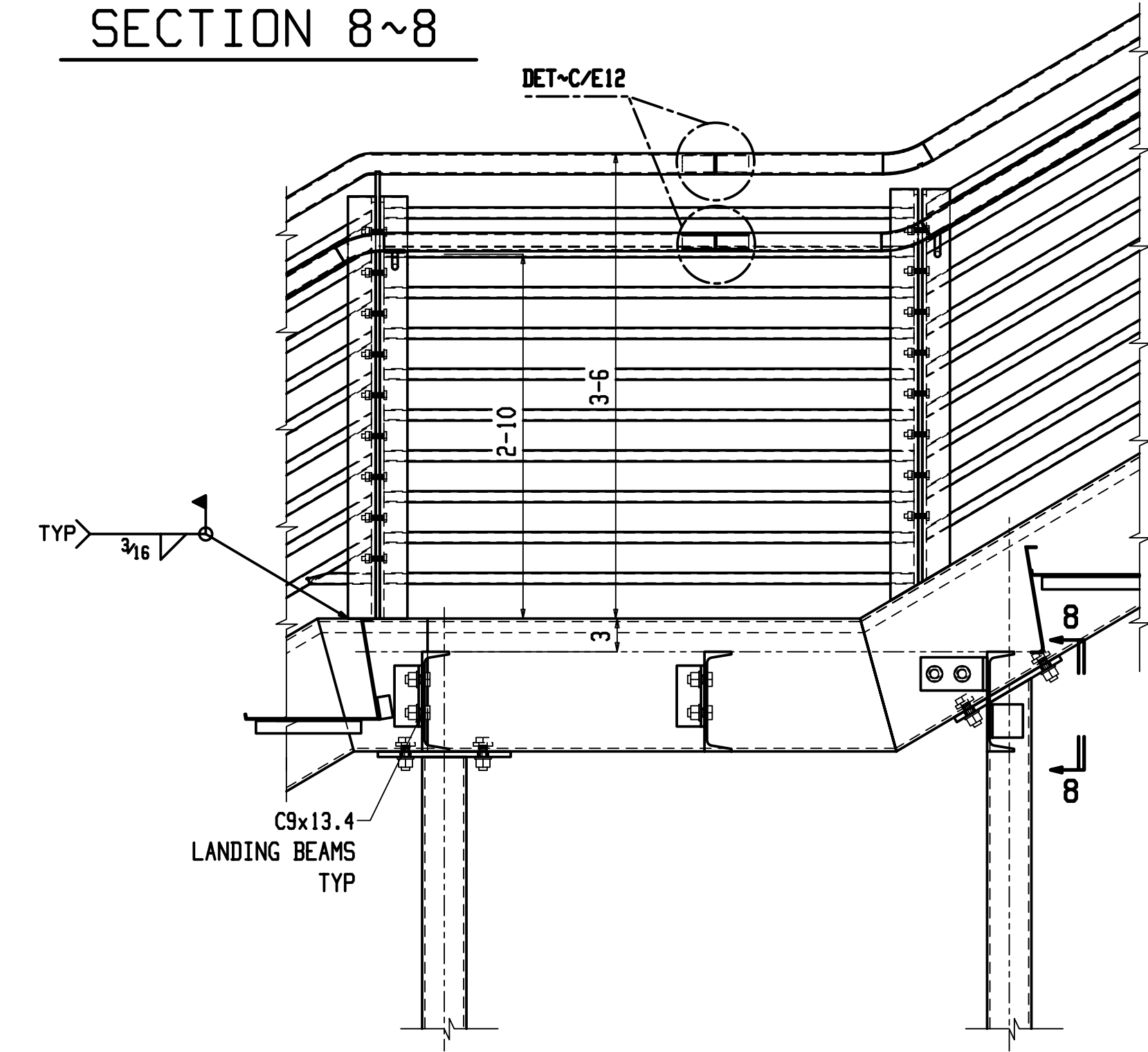
SECTION 7~7



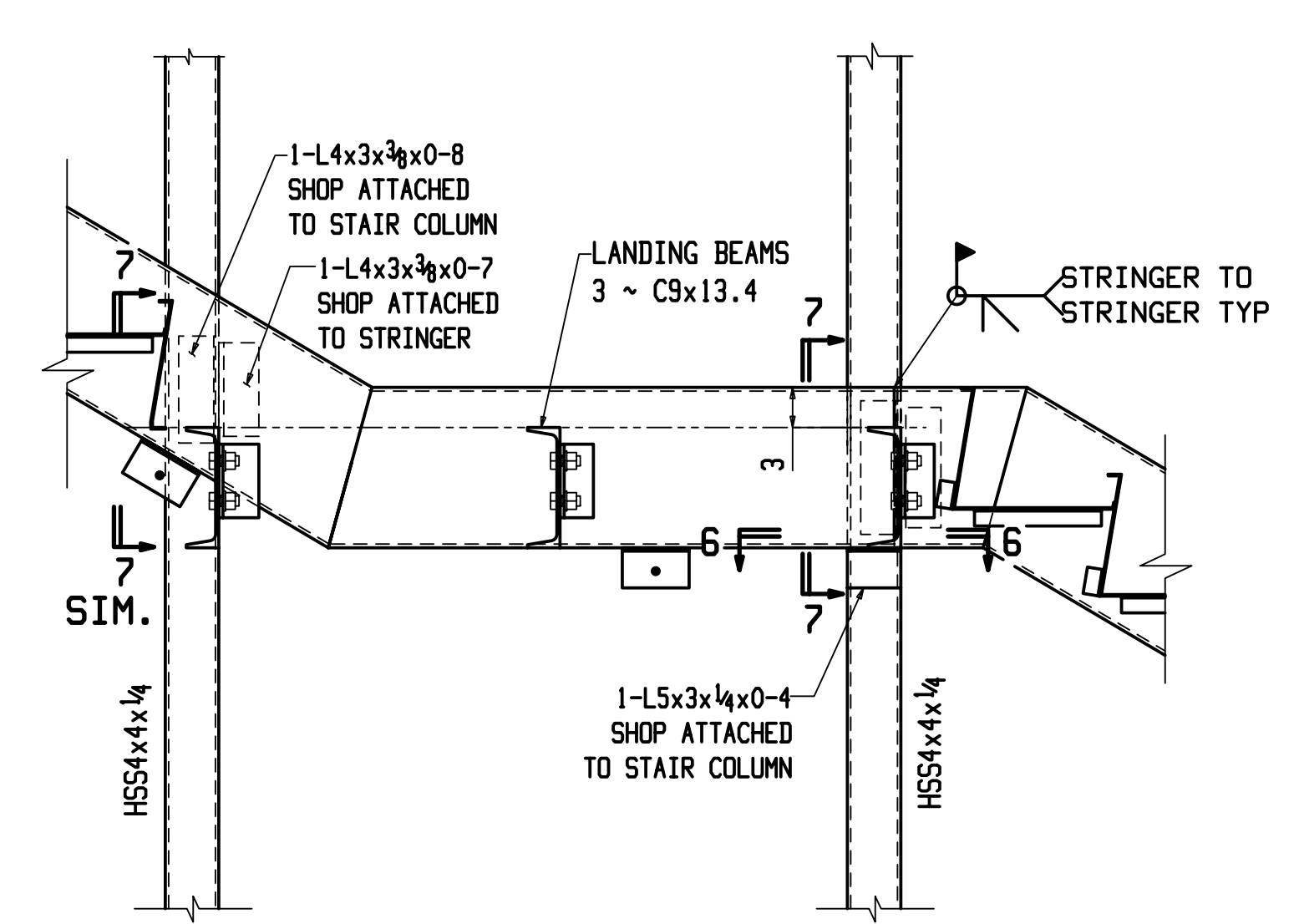
SECTION ~4-4



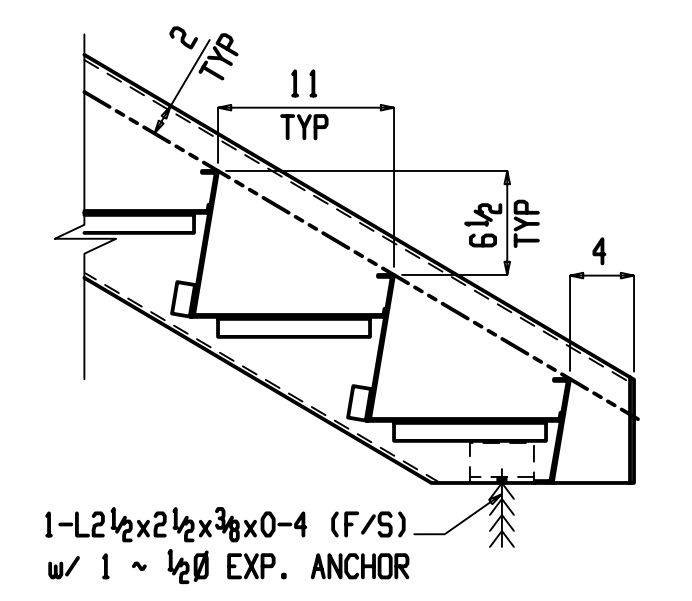
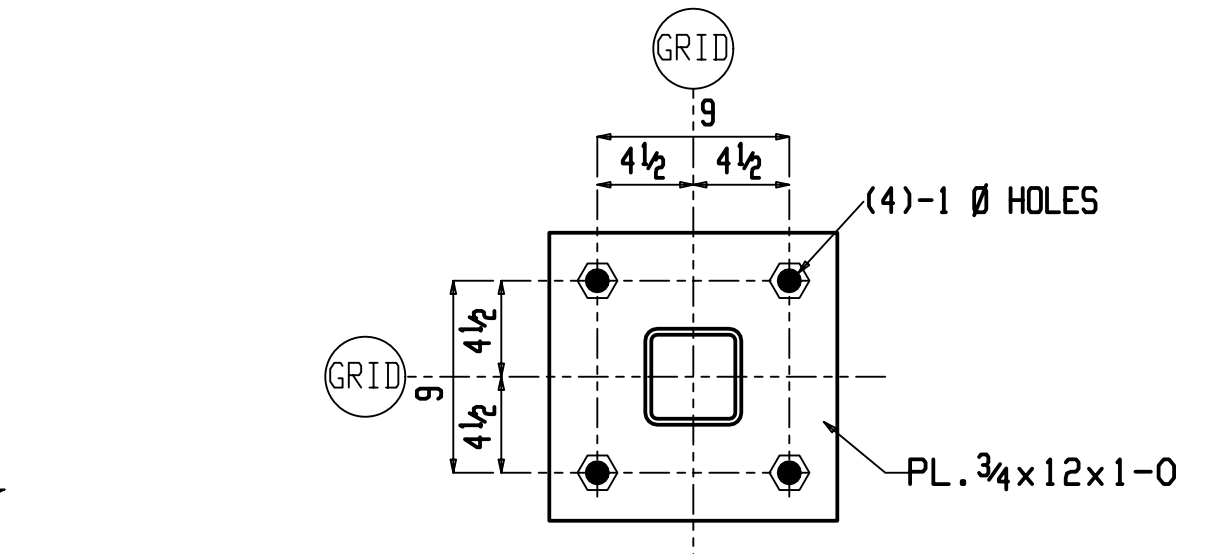
SECTION 8~8



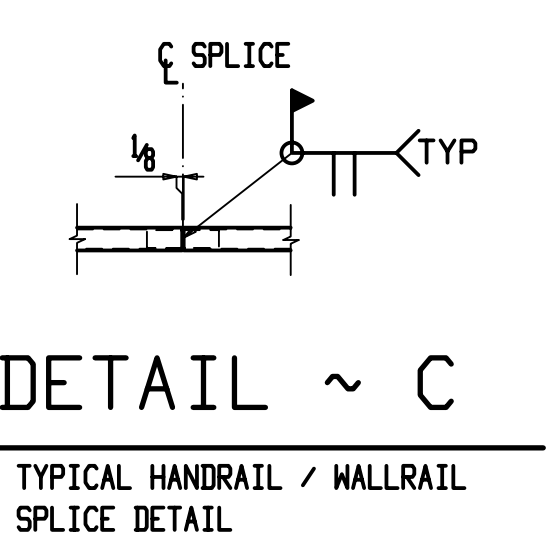
TYPICAL MID LANDING STRINGER AND HANDRAIL ARRANGEMENT DETAIL



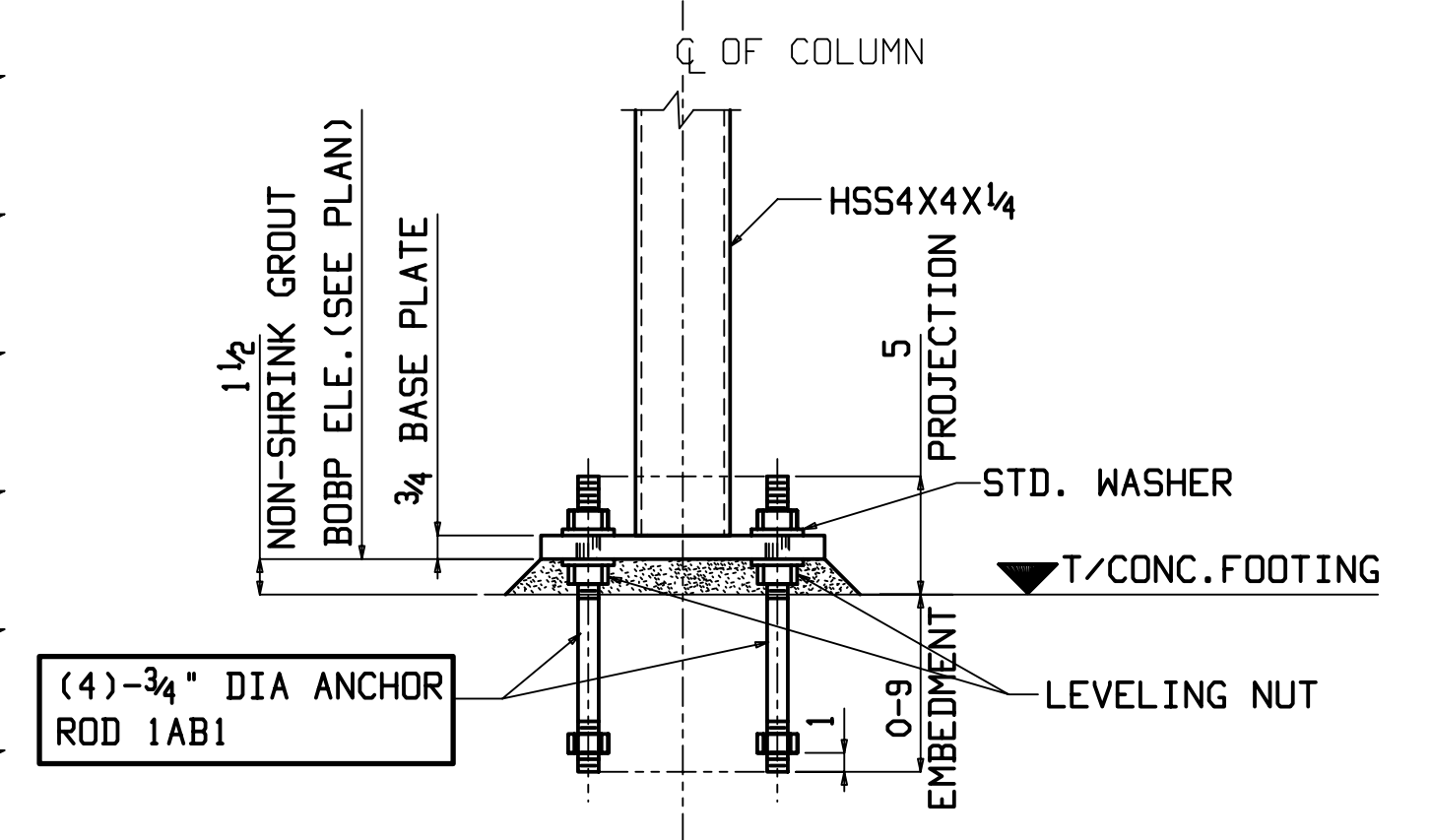
SECTION ~5-5



DETAIL ~ B



DETAIL ~ C  
TYPICAL HANDRAIL / WALLRAIL  
SPlice DETAIL



ANCHOR ROD SETTING TYPE-H  
(07 LOCATIONS)

READ THIS DRAWING  
ALONG WITH E11