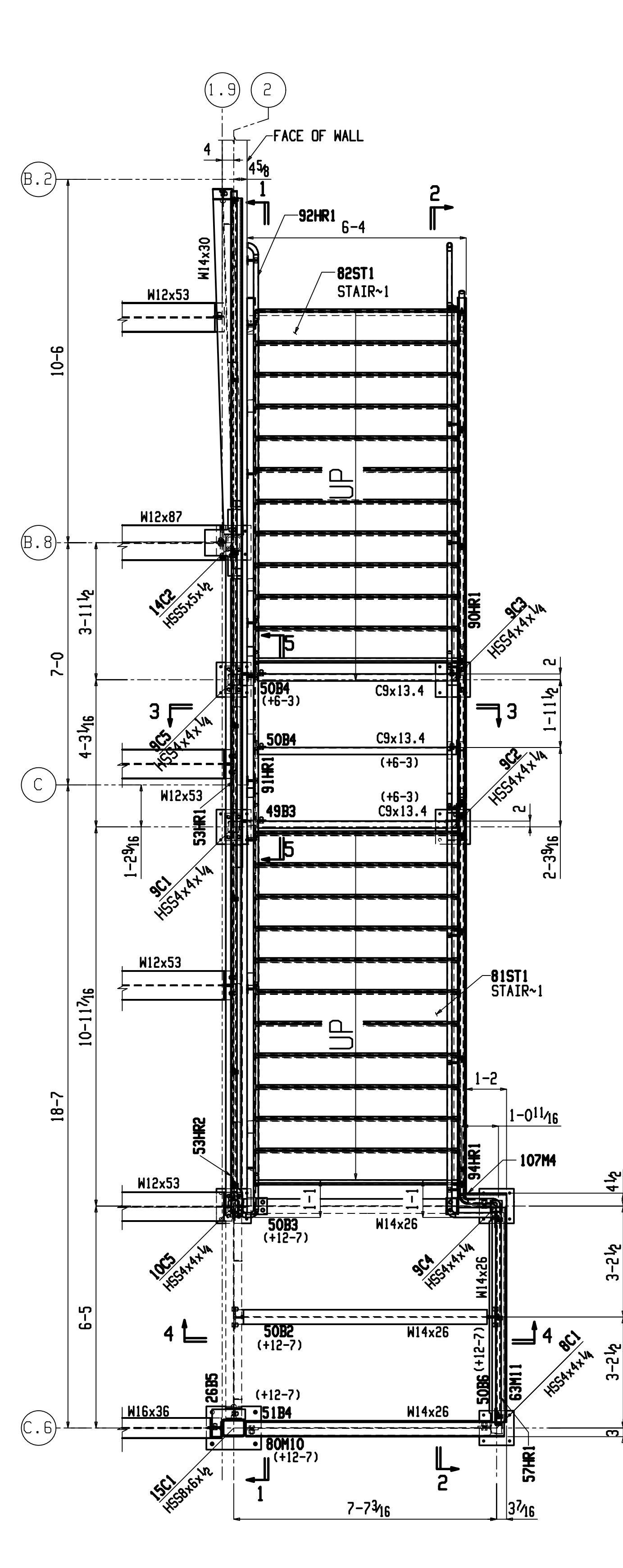
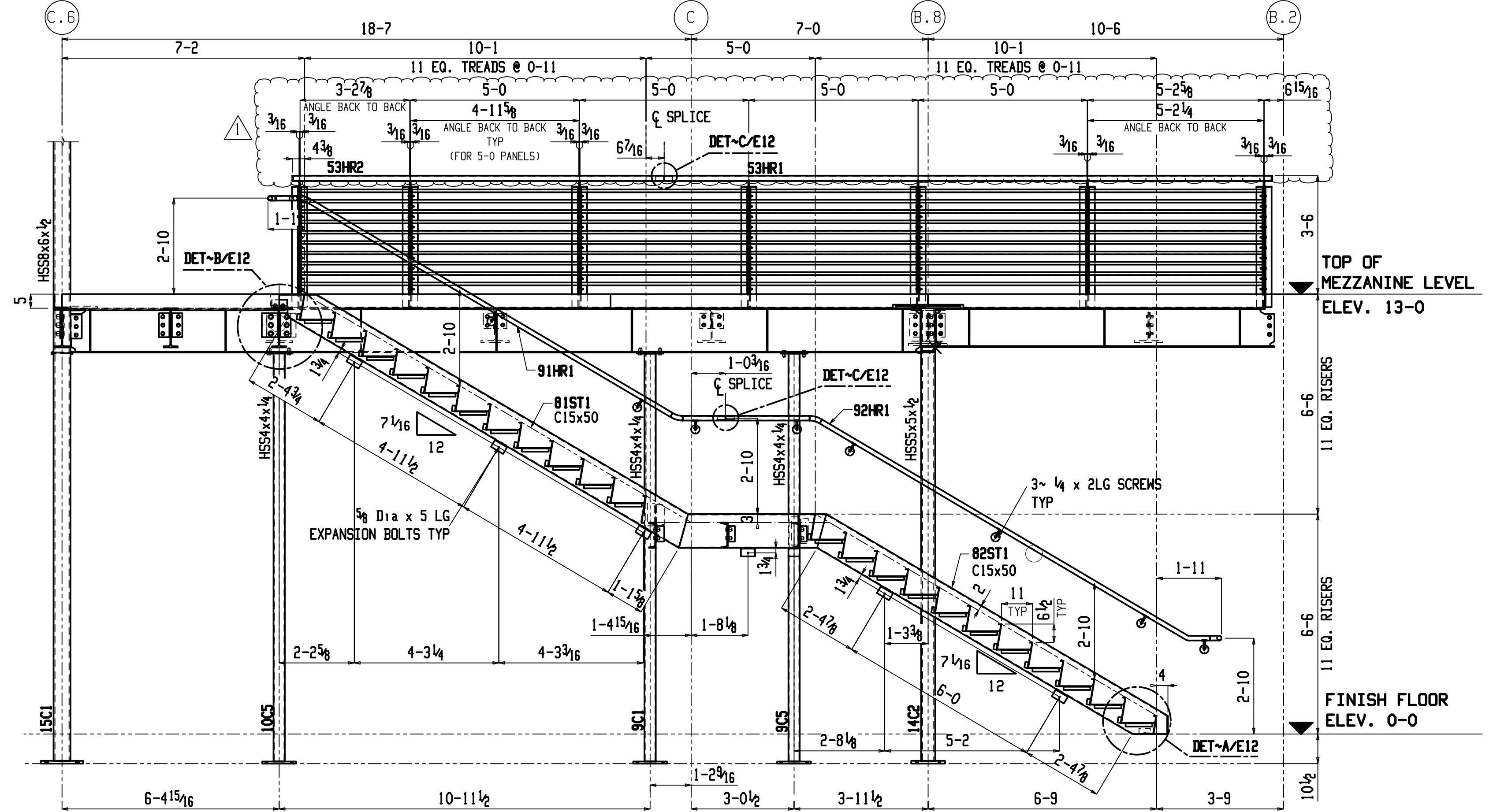


STAIR-1 COLUMN
ANCHOR BOLT SETTING PLAN
STAIR COLUMN BOTTOM OF BASE PLATE
Elevation: -0-10 1/2 (U.N.)

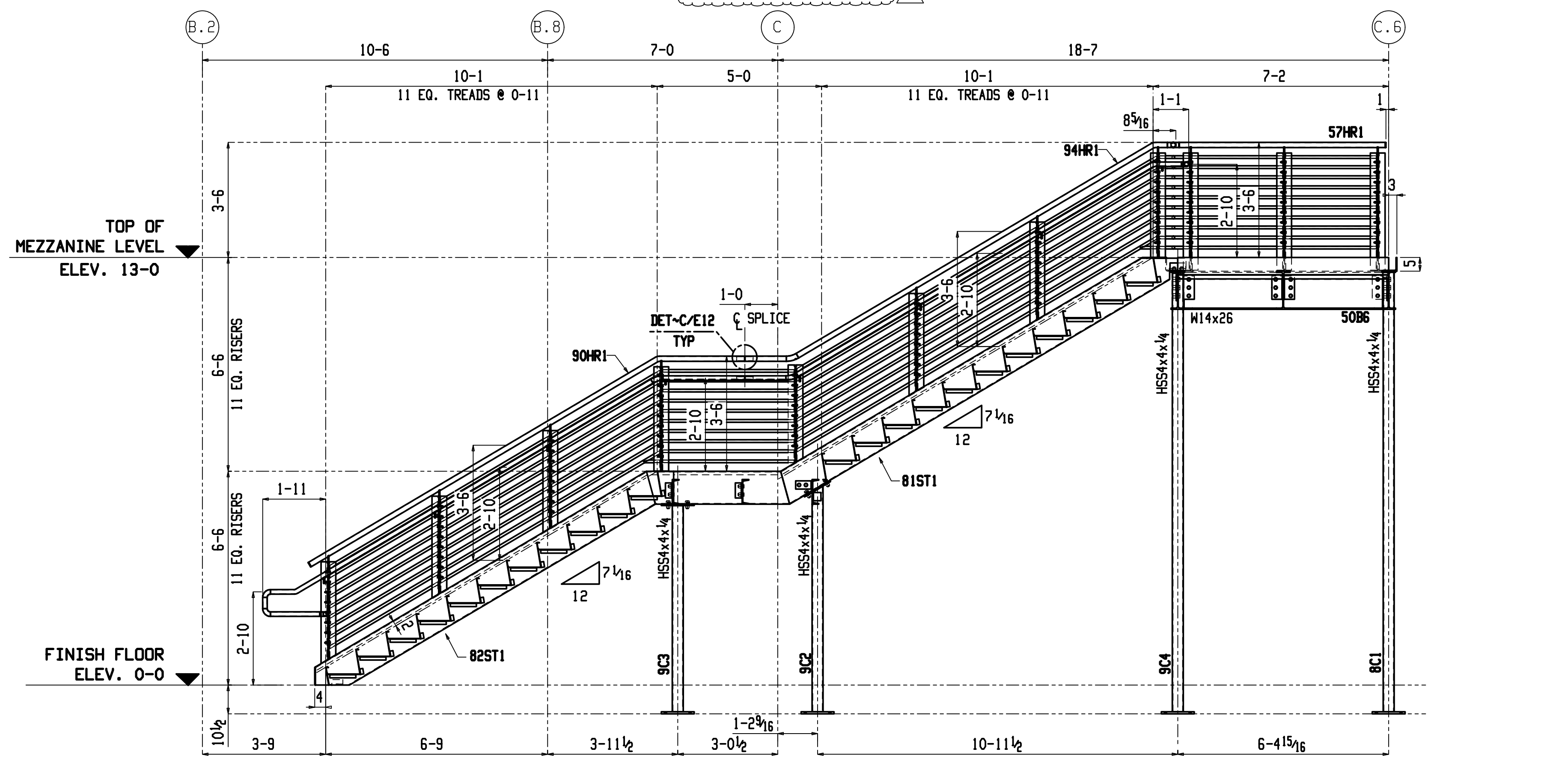
READ THIS DRAWING
ALONG WITH E12



STAIR~1_PLAN
ELEVATION:- REF.PLAN



STAIR~1 ELEV~1-1
(5-0 HANDRAIL PANELS - 4 NO.S)



STAIR~1 ELEV~2-2