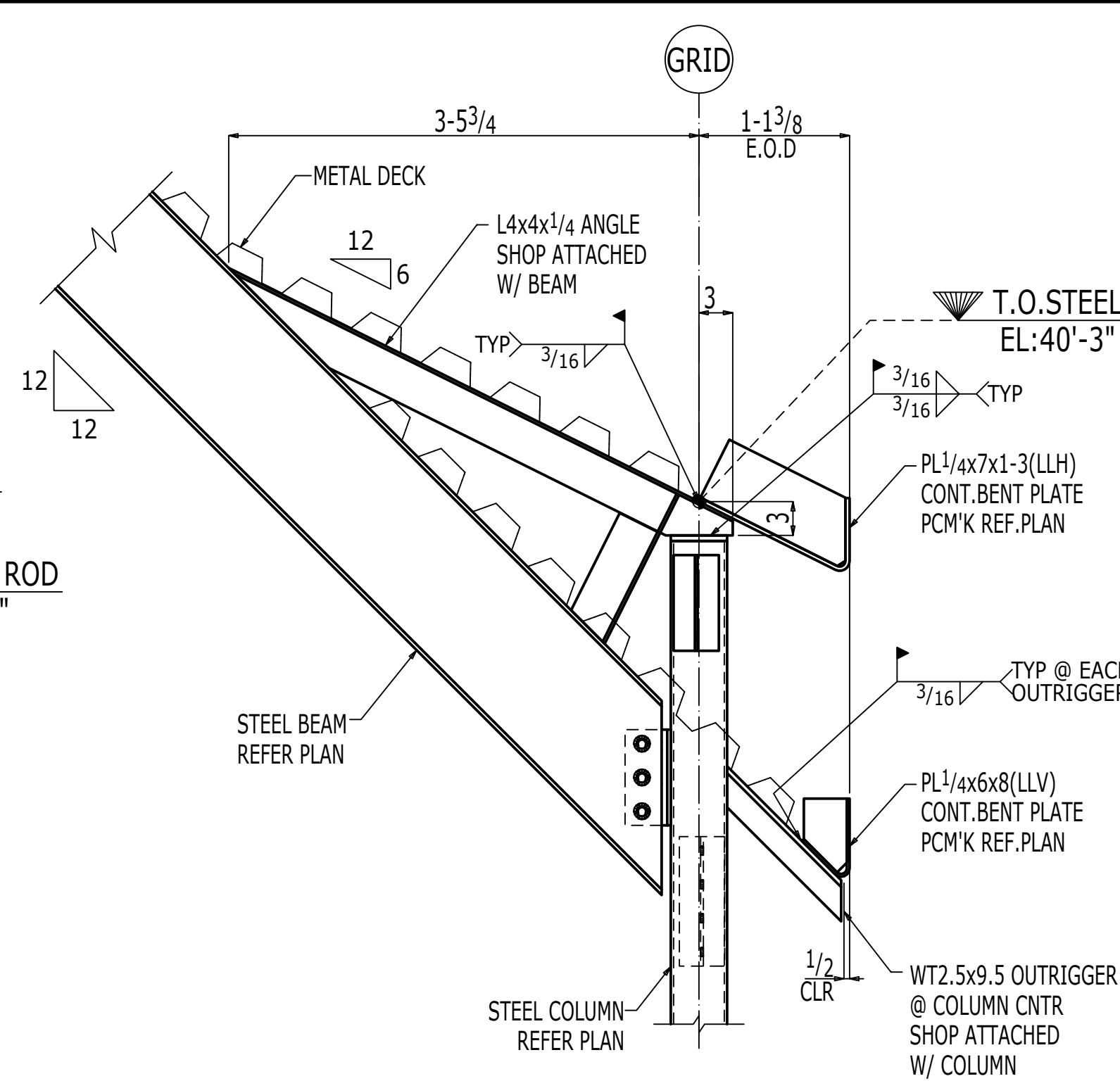
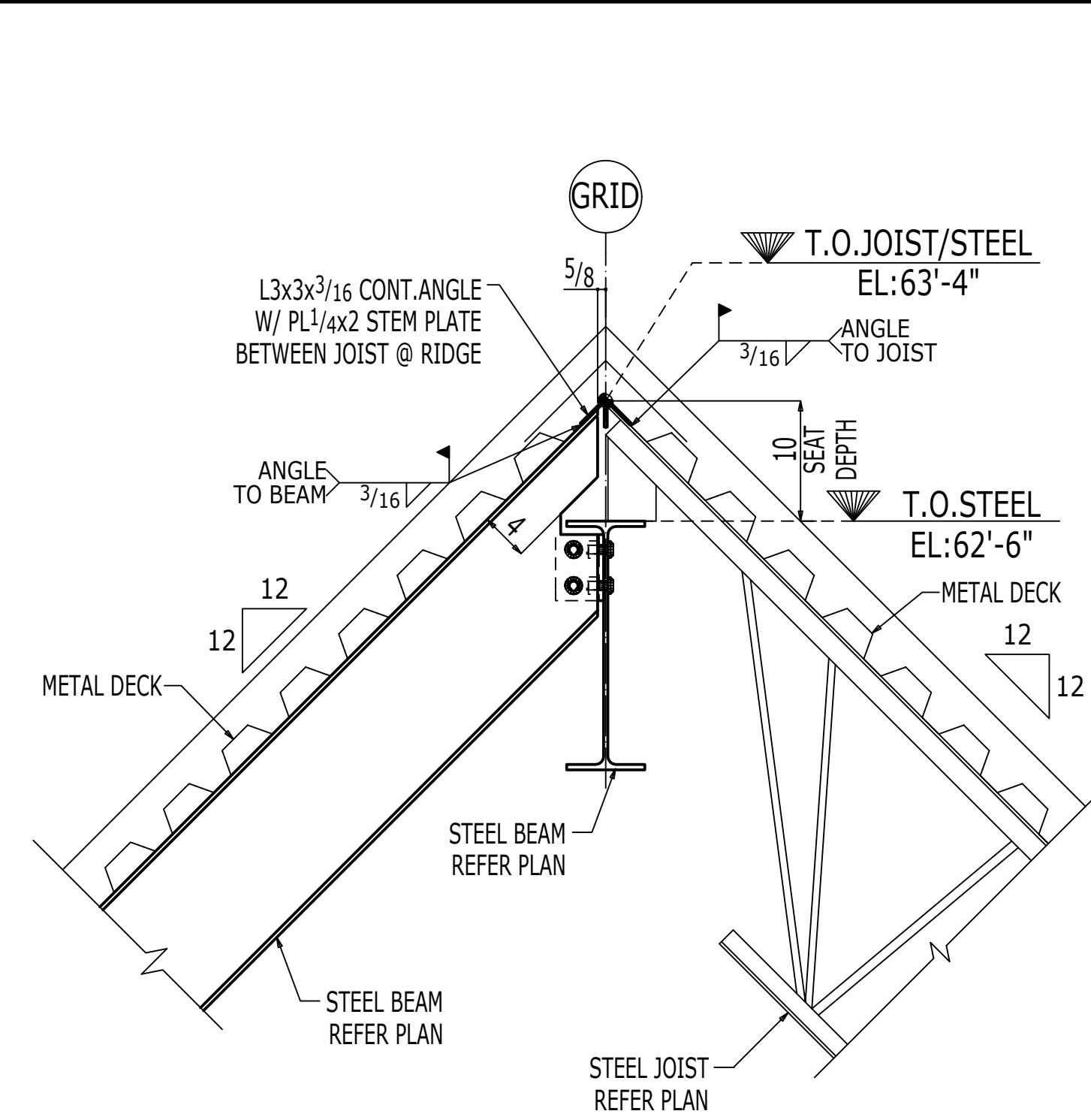


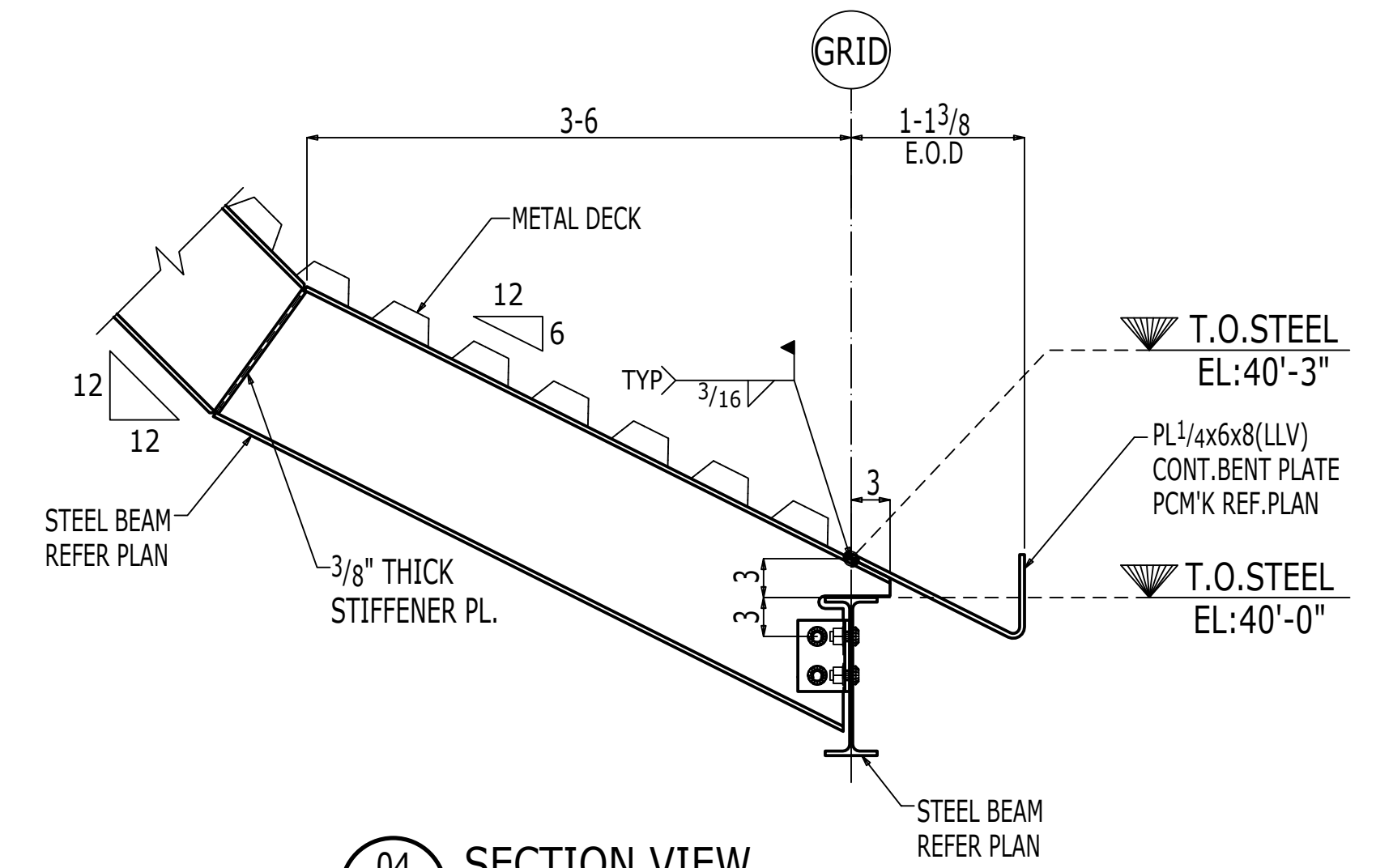
01 SECTION VIEW
E6017 (REF.DWG:L/S407)



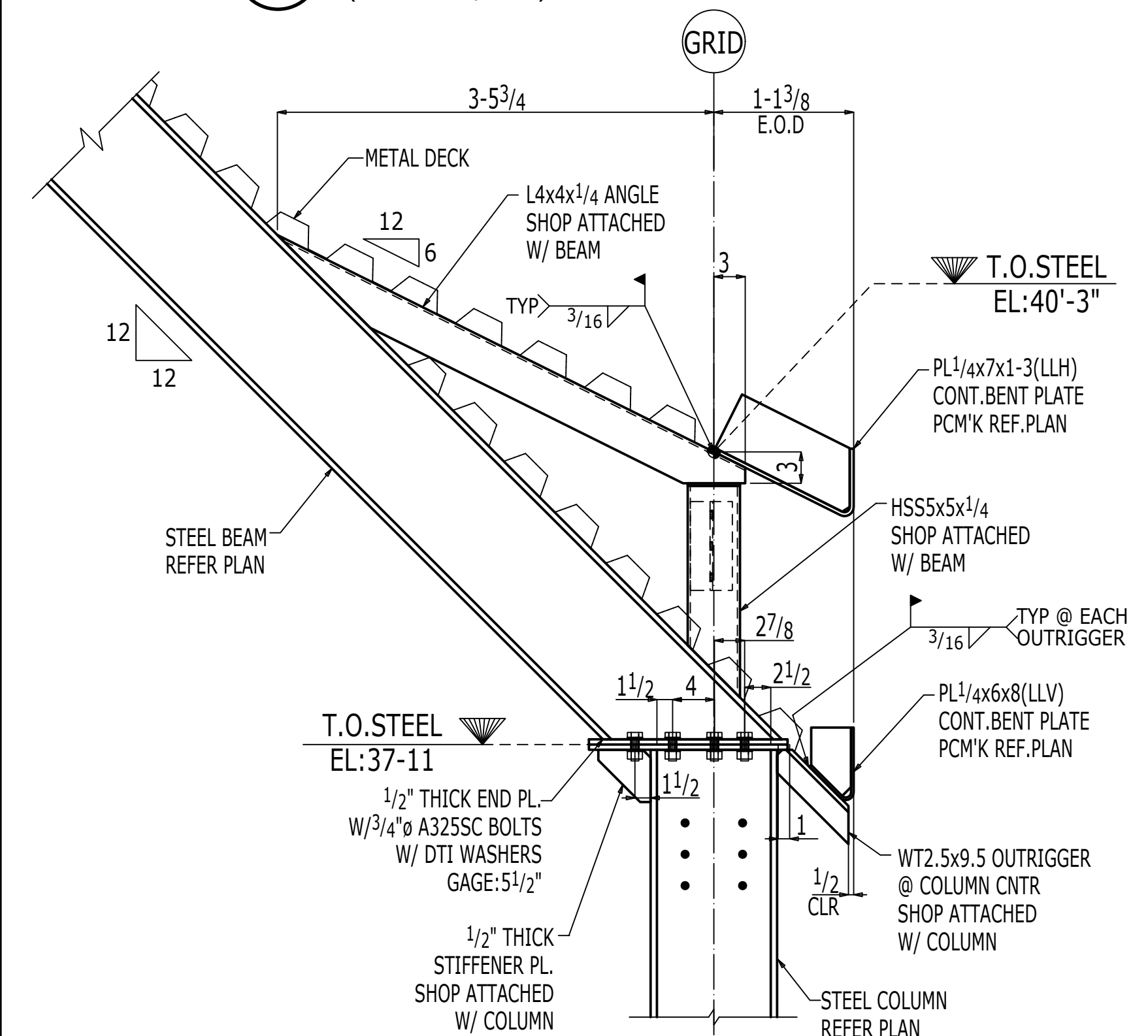
02 SECTION VIEW
E6017 (REF.DWG:G/S408)



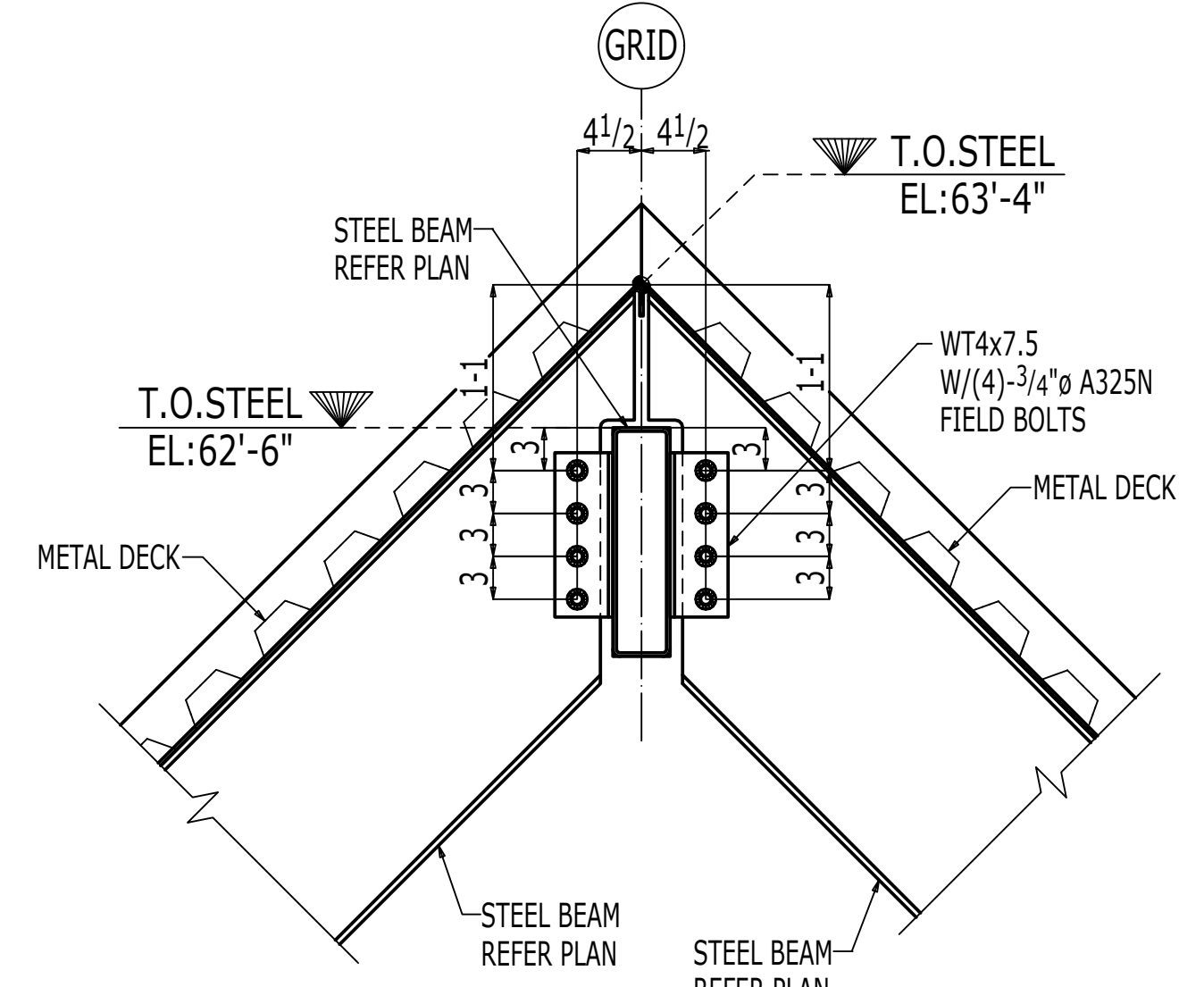
03 SECTION VIEW
E6017 (REF.DWG:J/S408)



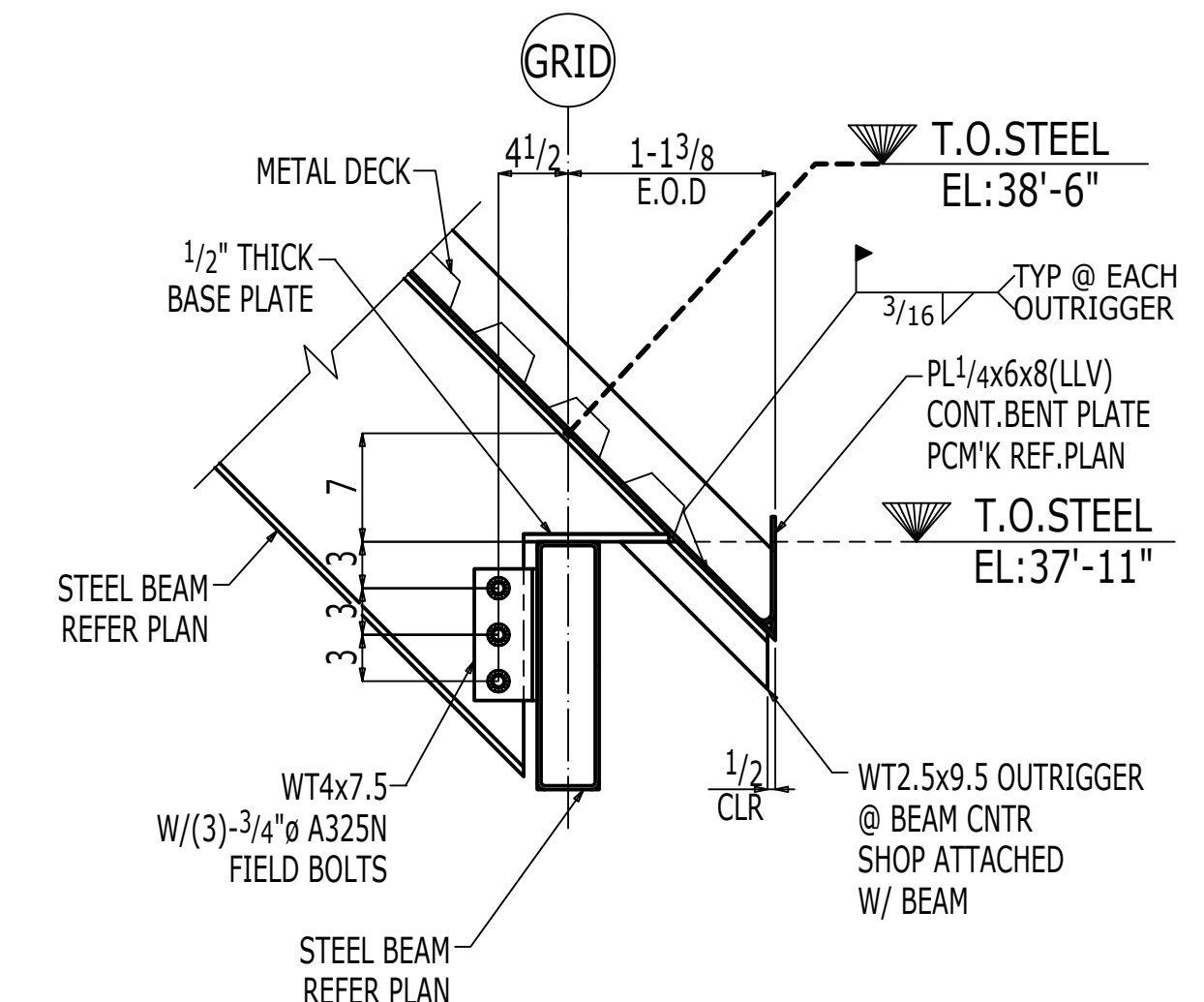
04 SECTION VIEW
E6017 (REF.DWG:F/S408)



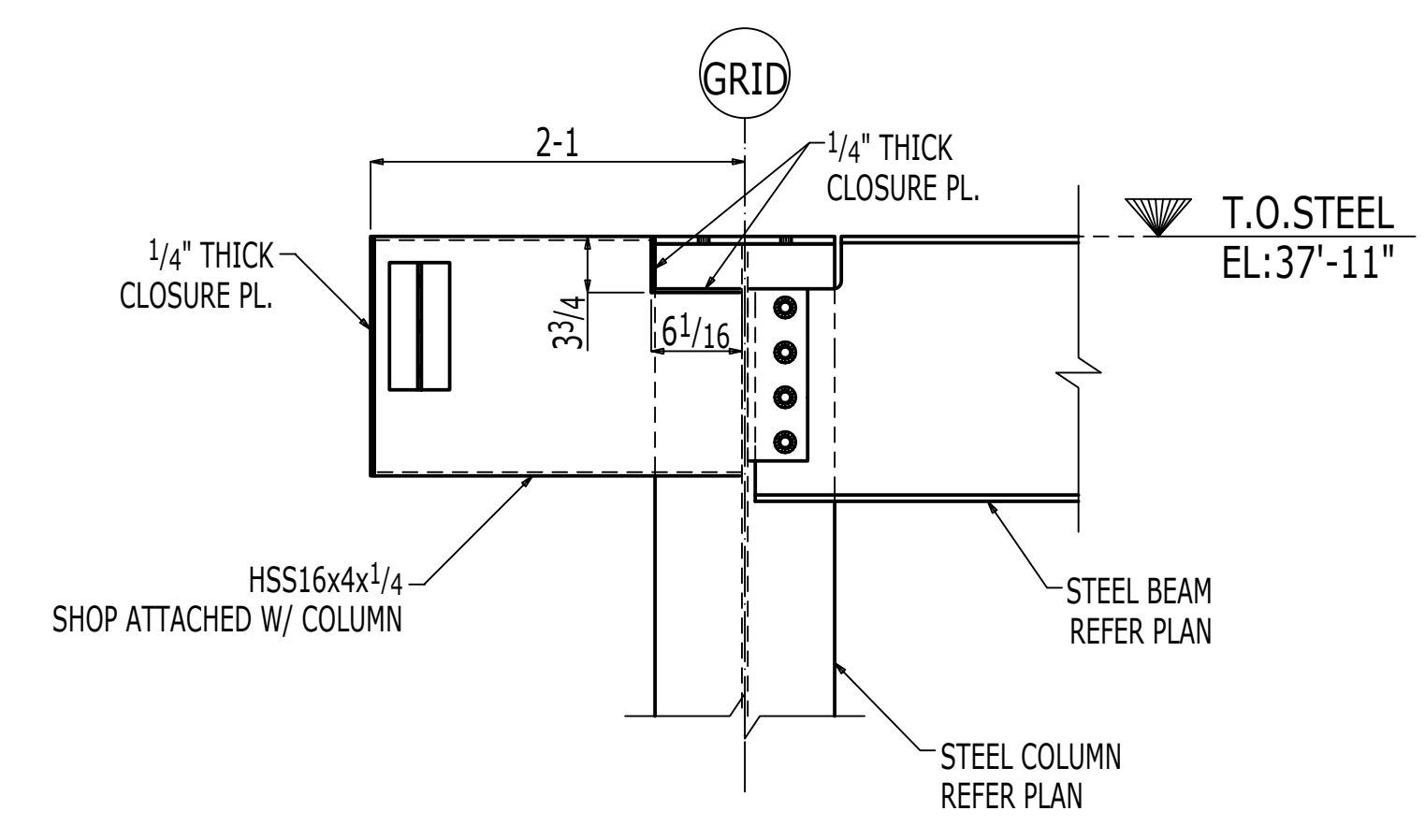
05 SECTION VIEW
E6017 (REF.DWG:H/S408)



06 SECTION VIEW
E6017 (REF.DWG:K/S401)

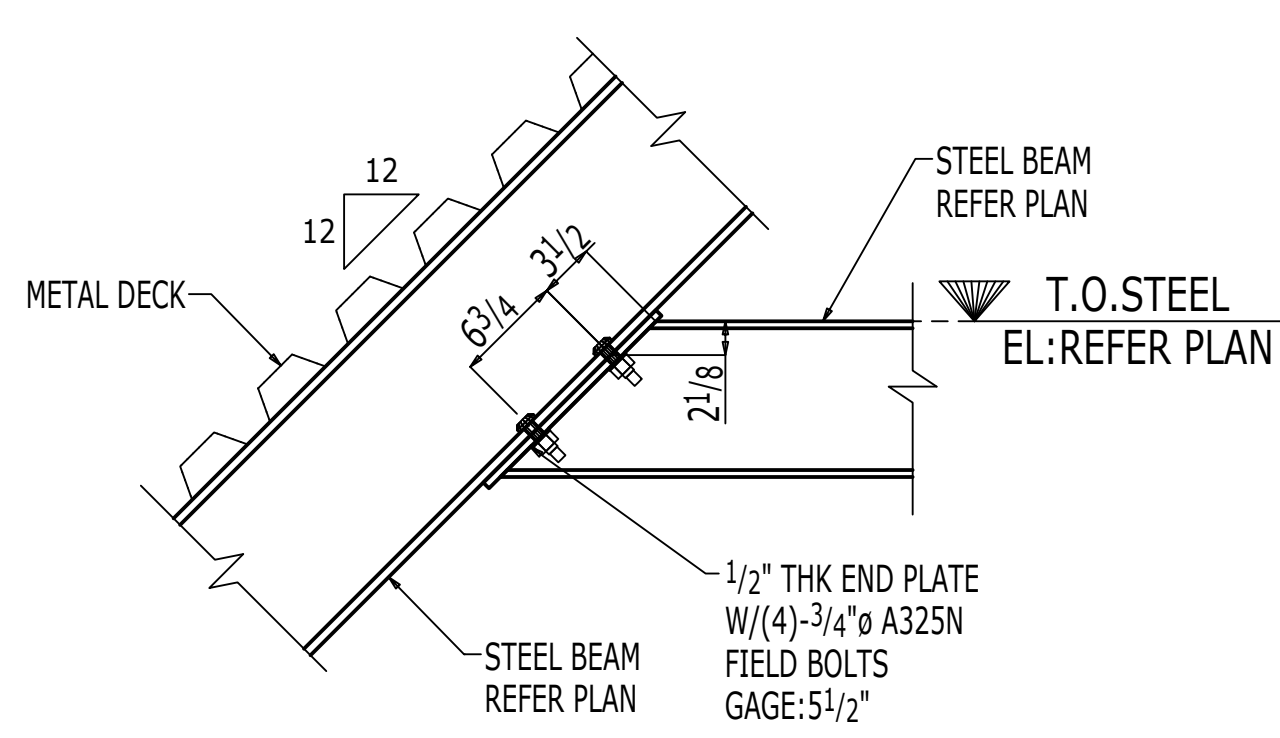


07 SECTION VIEW
E6017 (REF.DWG:K/S401)

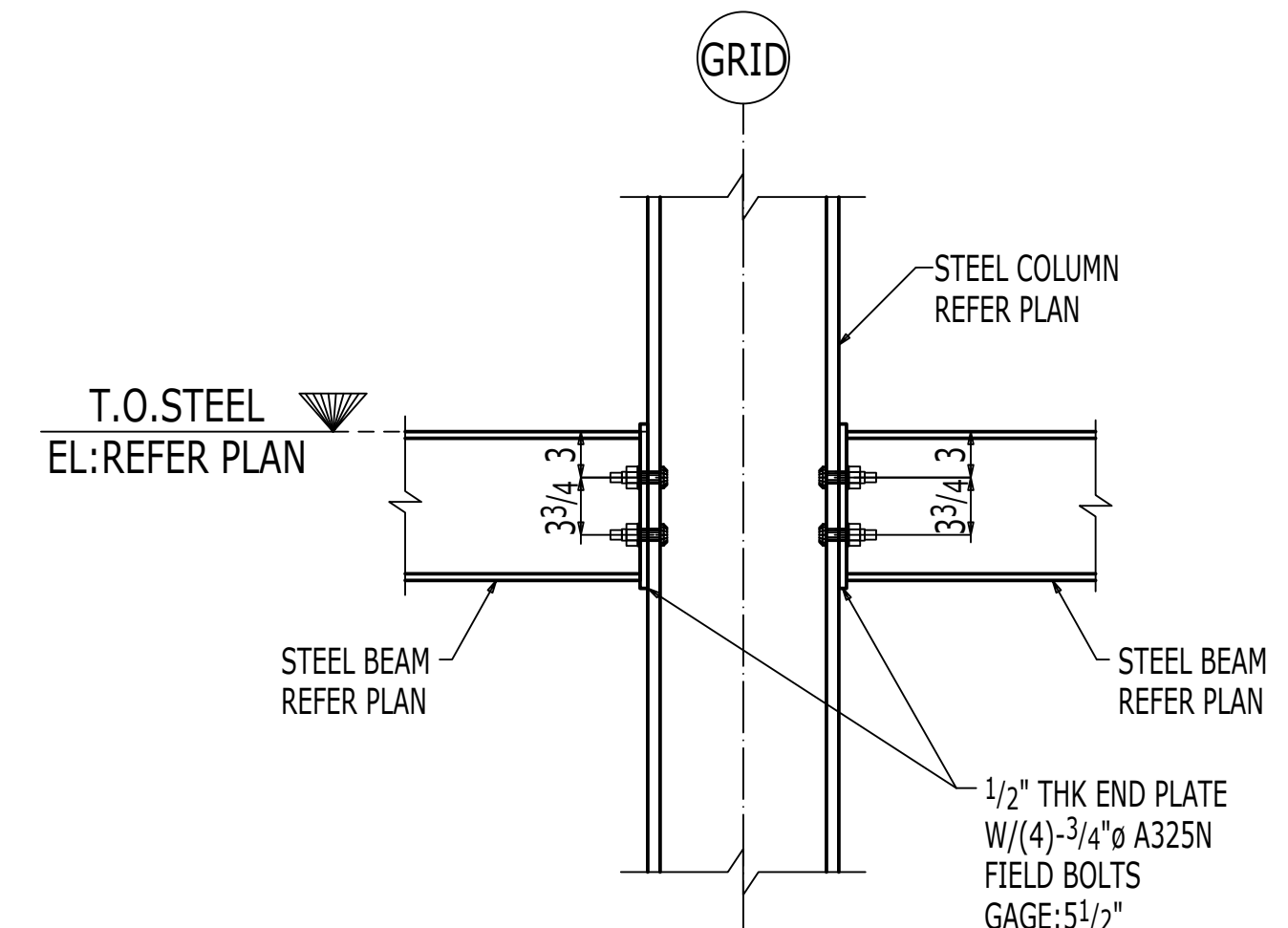


08 SECTION VIEW
E6017

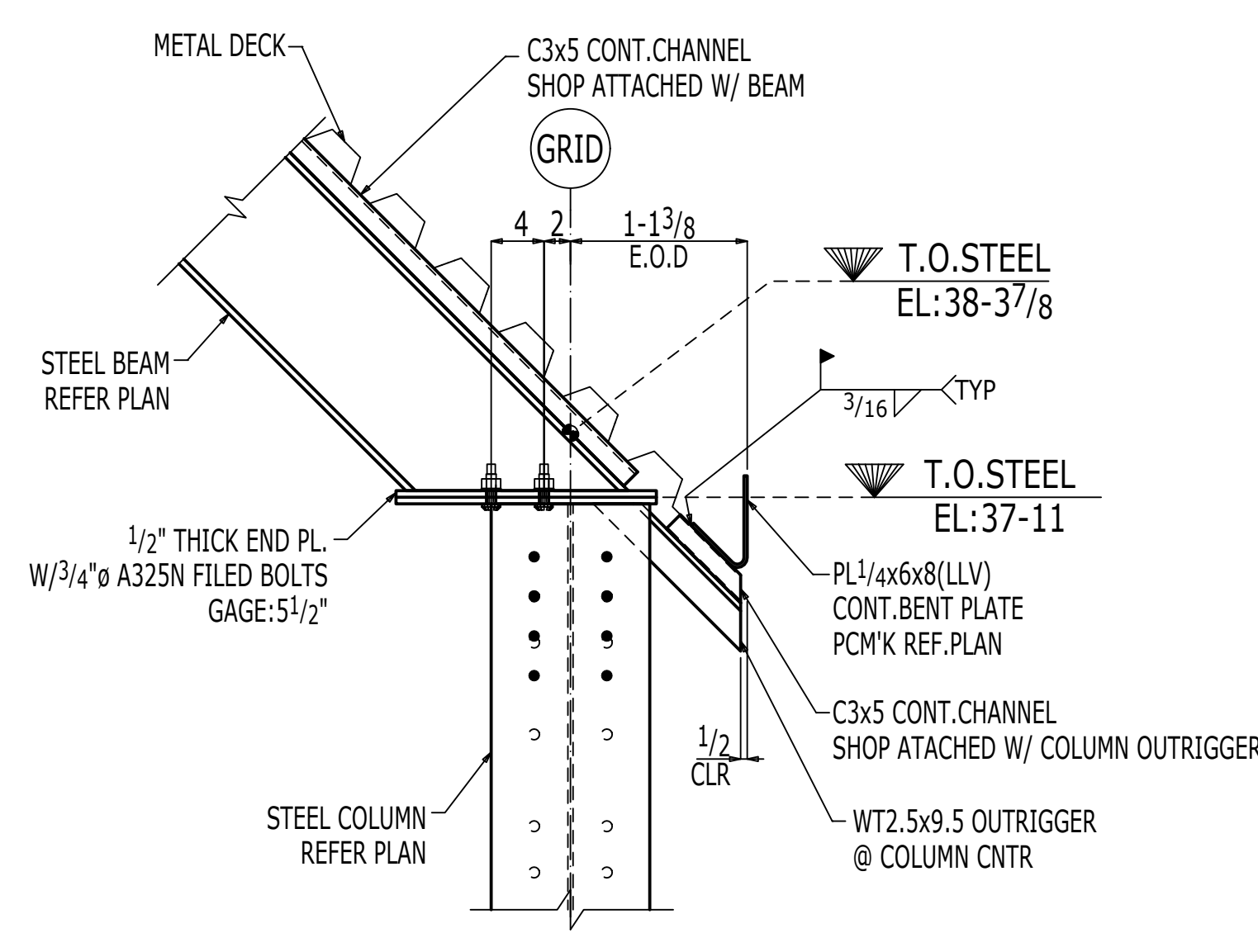
NOTE:
FOR DTI WASHER INSTALLATION DETAILS REFER 02/E6019.



09 SECTION VIEW
E6017 (REF.DWG:N/S401)



10 SECTION VIEW
E6017 (REF.DWG:N/S401)



11 SECTION VIEW
E6017 (REF.DWG:N/S401)

ISSUE/REVISIONS			
REV	BY	DATE	DESCRIPTION

FIELD CONNECTION NOTES: BOLTS: 3/4" DIA A325N-TC BOLTS UNO WELDING: AWS E70XX		STRUCTURE:	
		LOCATION:	
		ARCHITECT:	
		ENGINEER:	
		CUSTOMER:	
DRAFTER:		SHOP ORDER	SHEET NO.
			REV
REF:		CHECKER:	