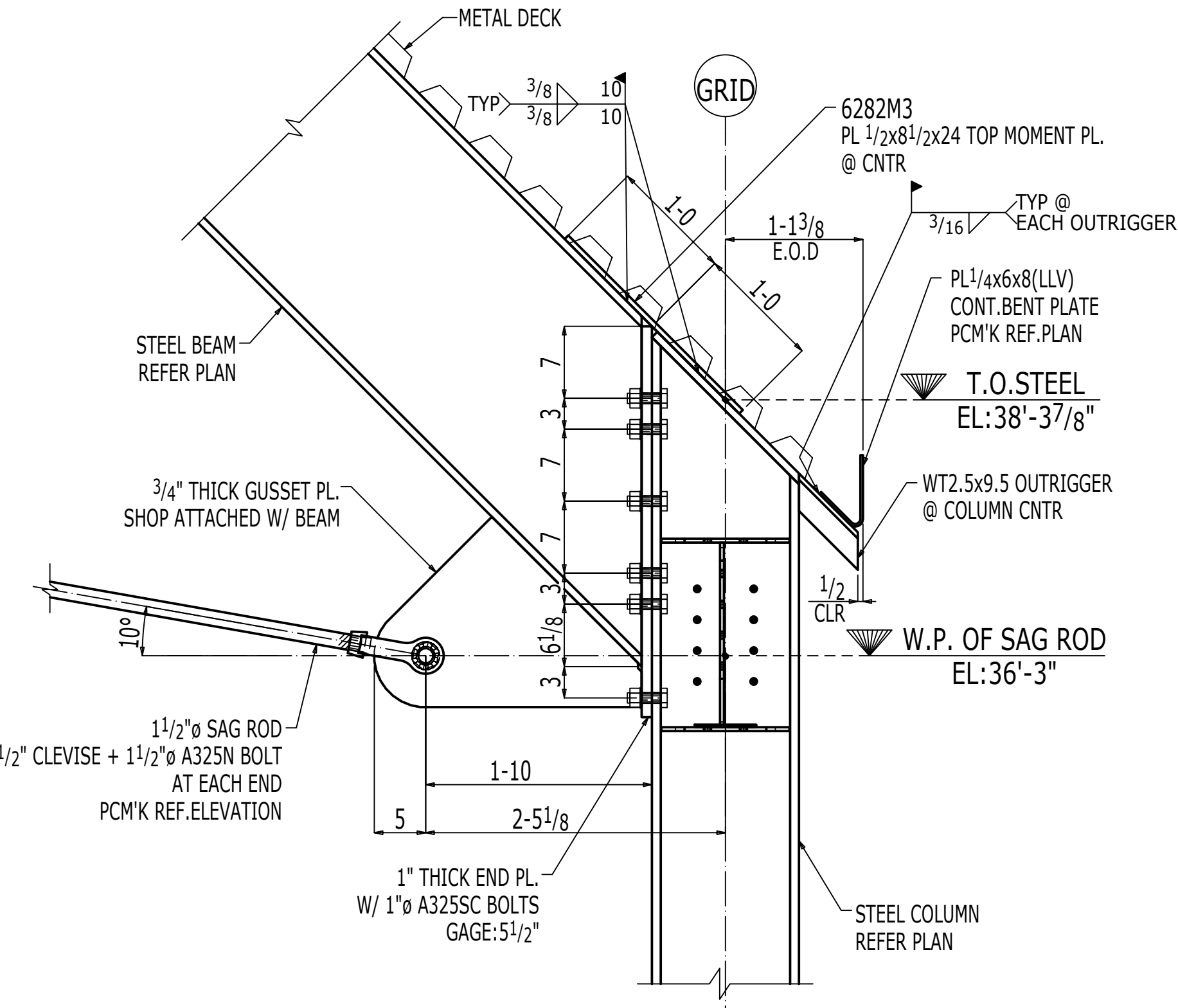


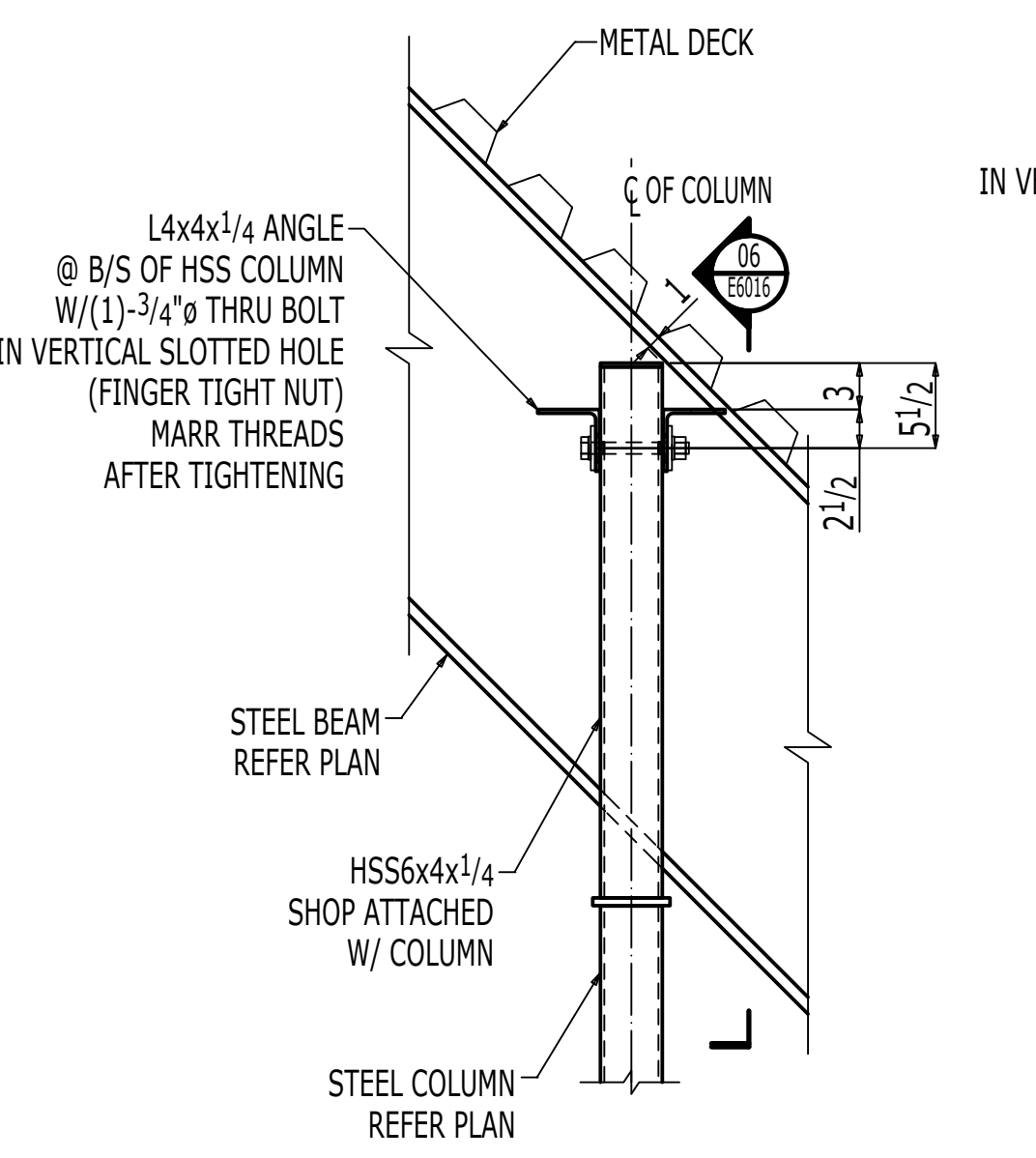
**01 SECTION VIEW**  
E6016 (REF.DWG:K/S407)

**02 SECTION VIEW**  
E6016 (REF.DWG:M/S407)

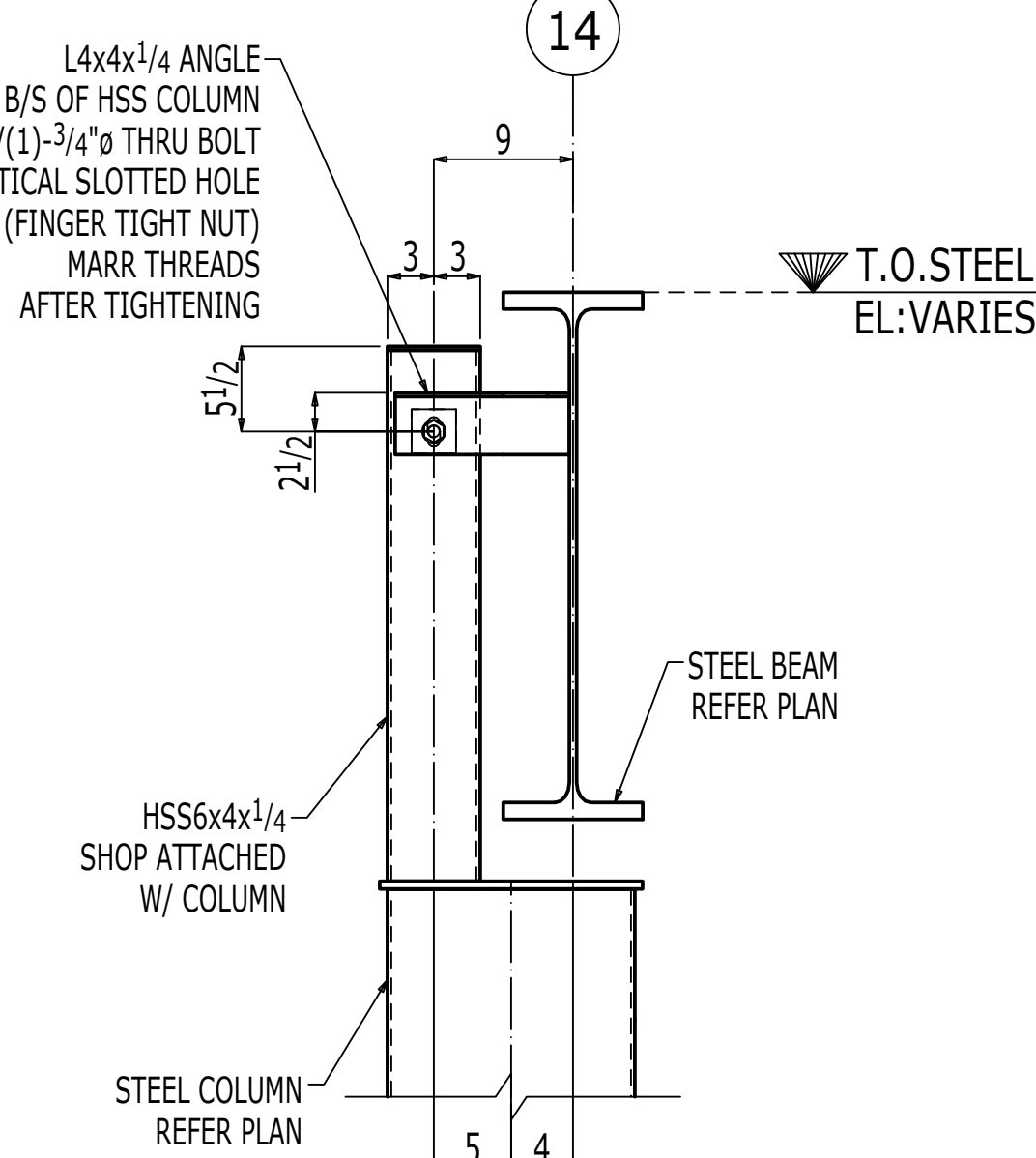
**03 SECTION VIEW**  
E6016 (REF.DWG:H/S407)



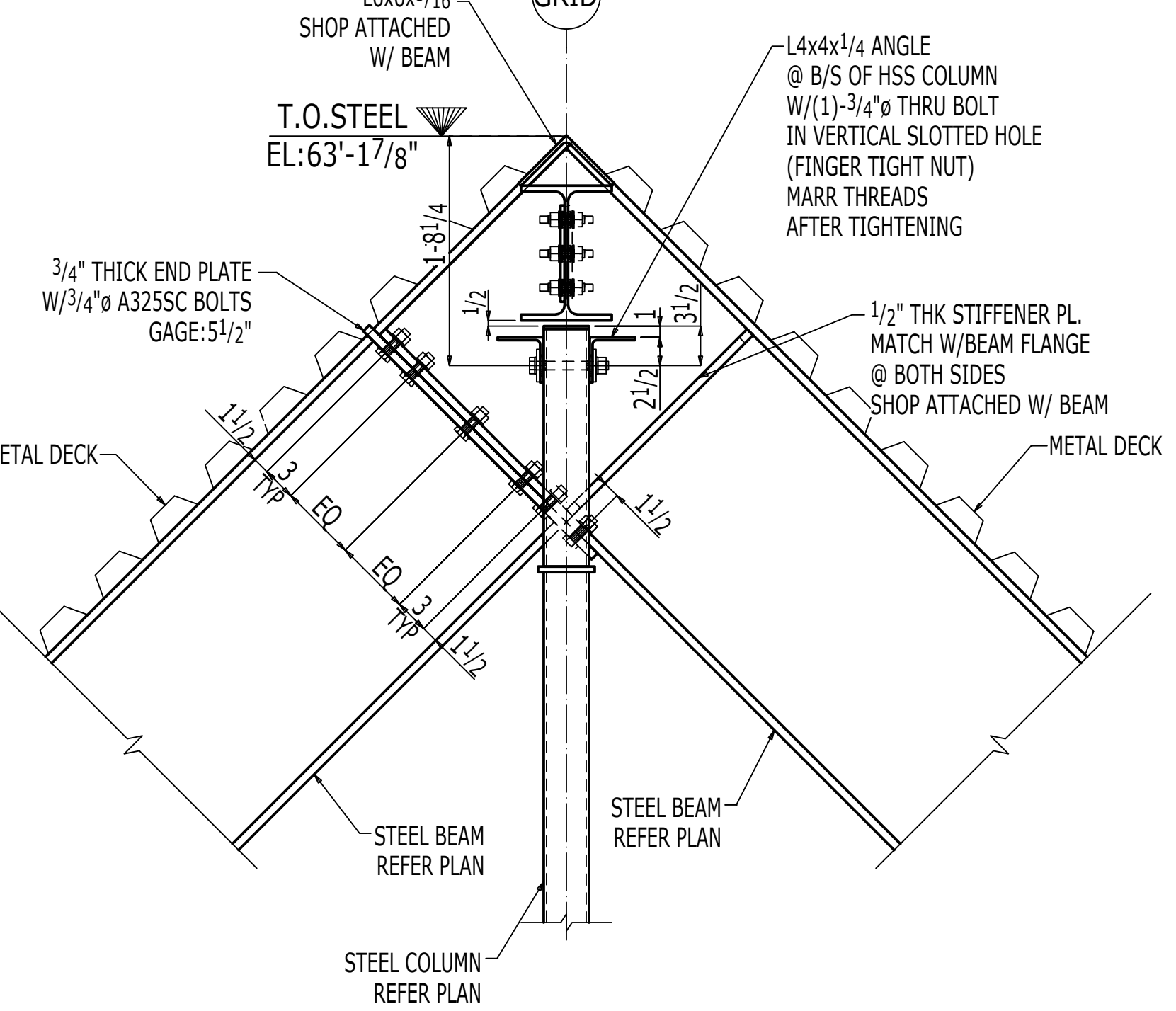
**04 SECTION VIEW**  
E6016 (REF.DWG:J/S407)



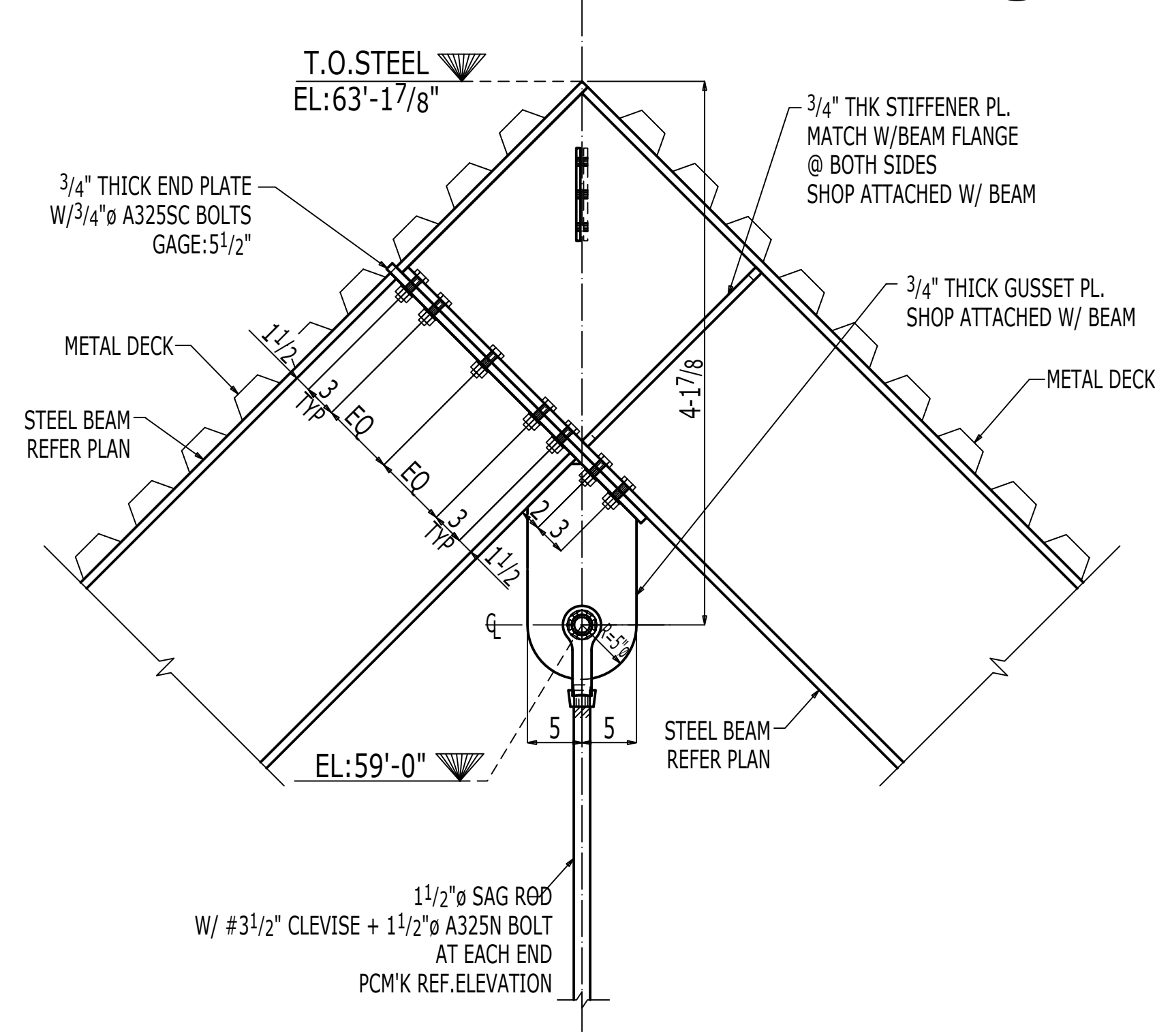
**05 SECTION VIEW**  
E6016 (REF.DWG:N/S407)



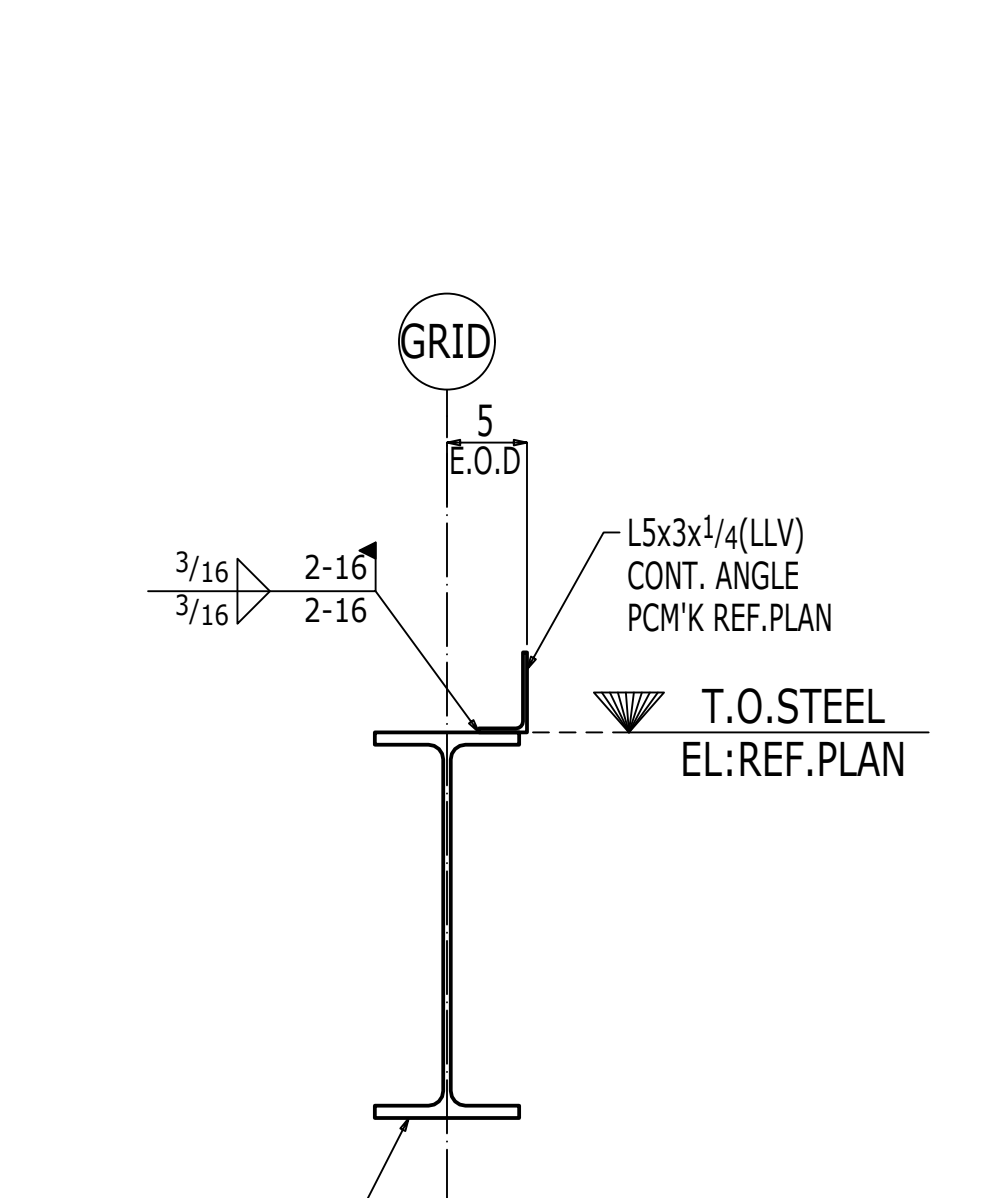
**06 SECTION VIEW**  
E6016 (REF.DWG:N/S407)



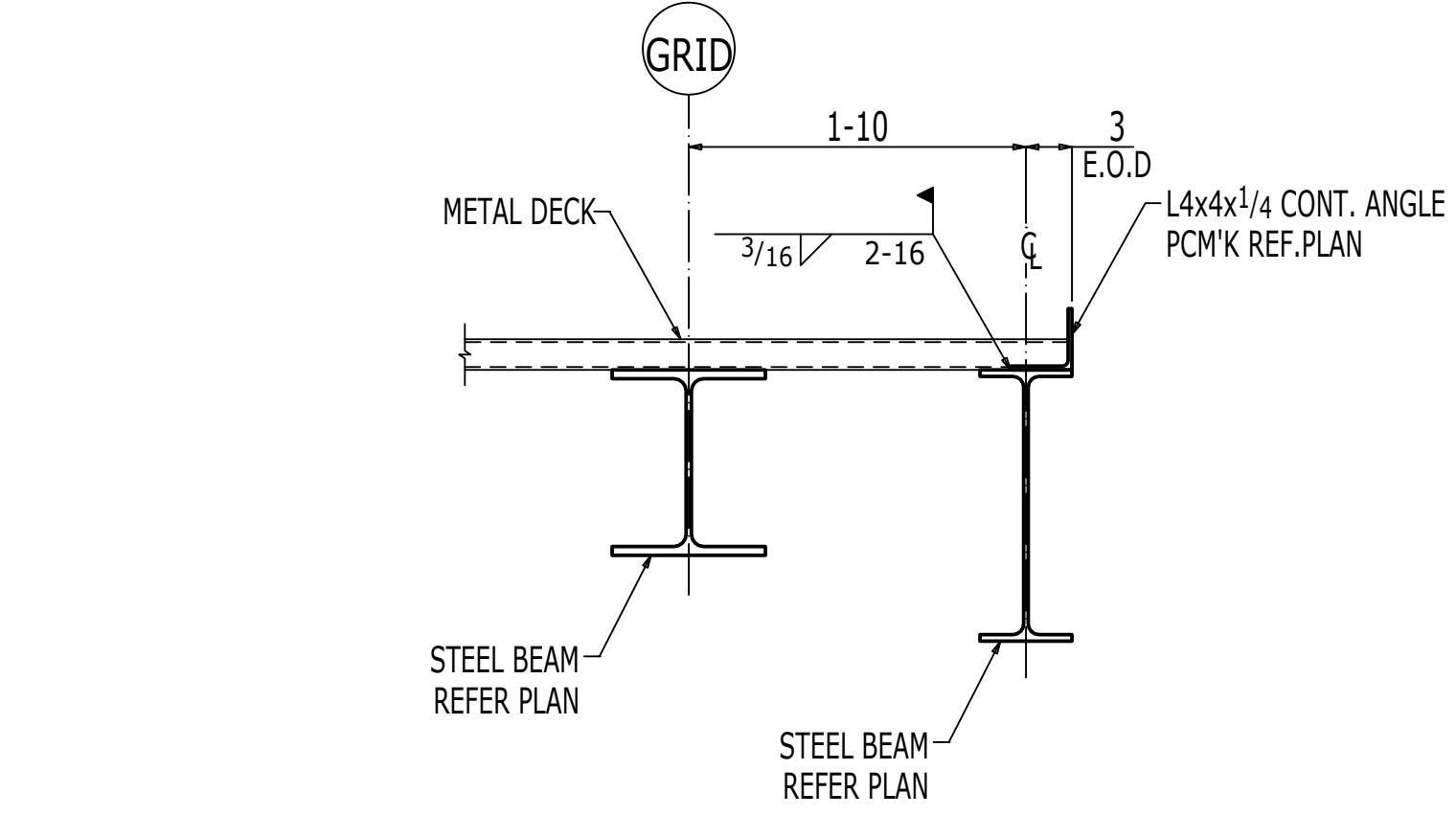
**07 SECTION VIEW**  
E6016 (REF.DWG:N/S407)



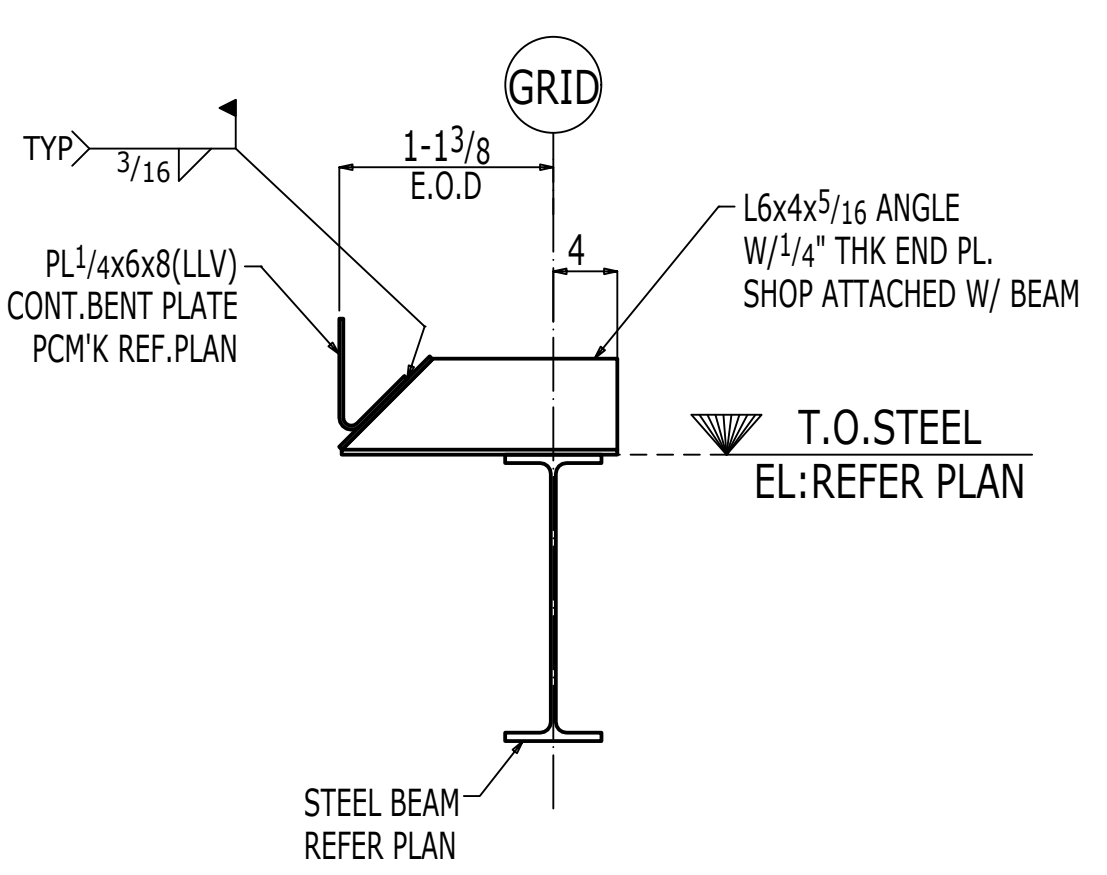
**08 SECTION VIEW**  
E6016 (REF.DWG:G/S407)



**09 SECTION VIEW**  
E6016 (REF.DWG:N/S407)



**10 SECTION VIEW**  
E6016 (REF.DWG:P/S407)



**11 SECTION VIEW**  
E6016 (REF.DWG:P/S407)

ISSUE/REVISIONS			
REV	BY	DATE	DESCRIPTION

FIELD CONNECTION NOTES: BOLTS: 3/4" DIA A325N-TC BOLTS UNO WELDING: AWS E70XX		STRUCTURE:	
LOCATION:		ARCHITECT:	
ENGINEER:		CUSTOMER:	
DRAFTER:	SHOP ORDER	SHEET NO.	REV
CHECKER:			