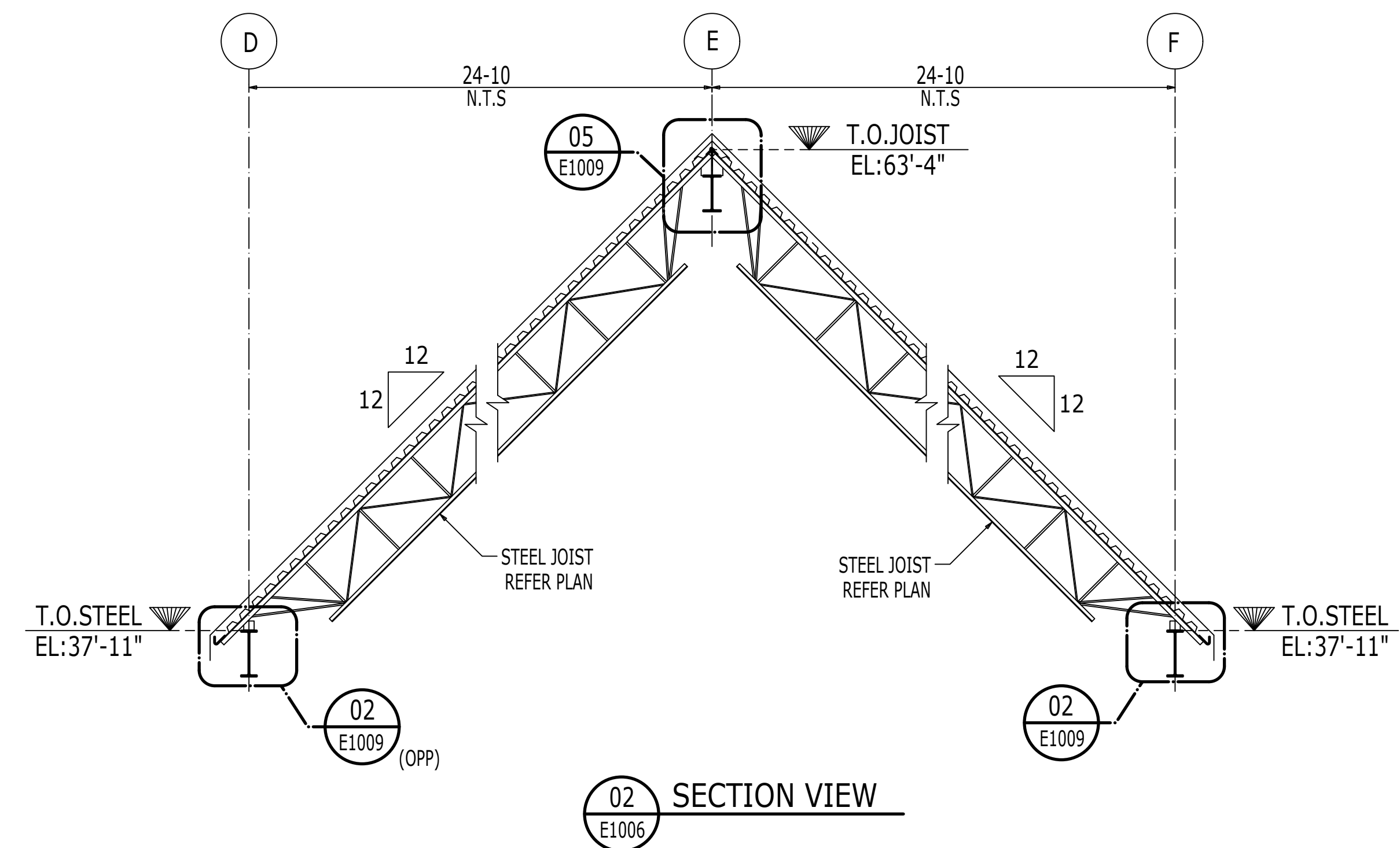
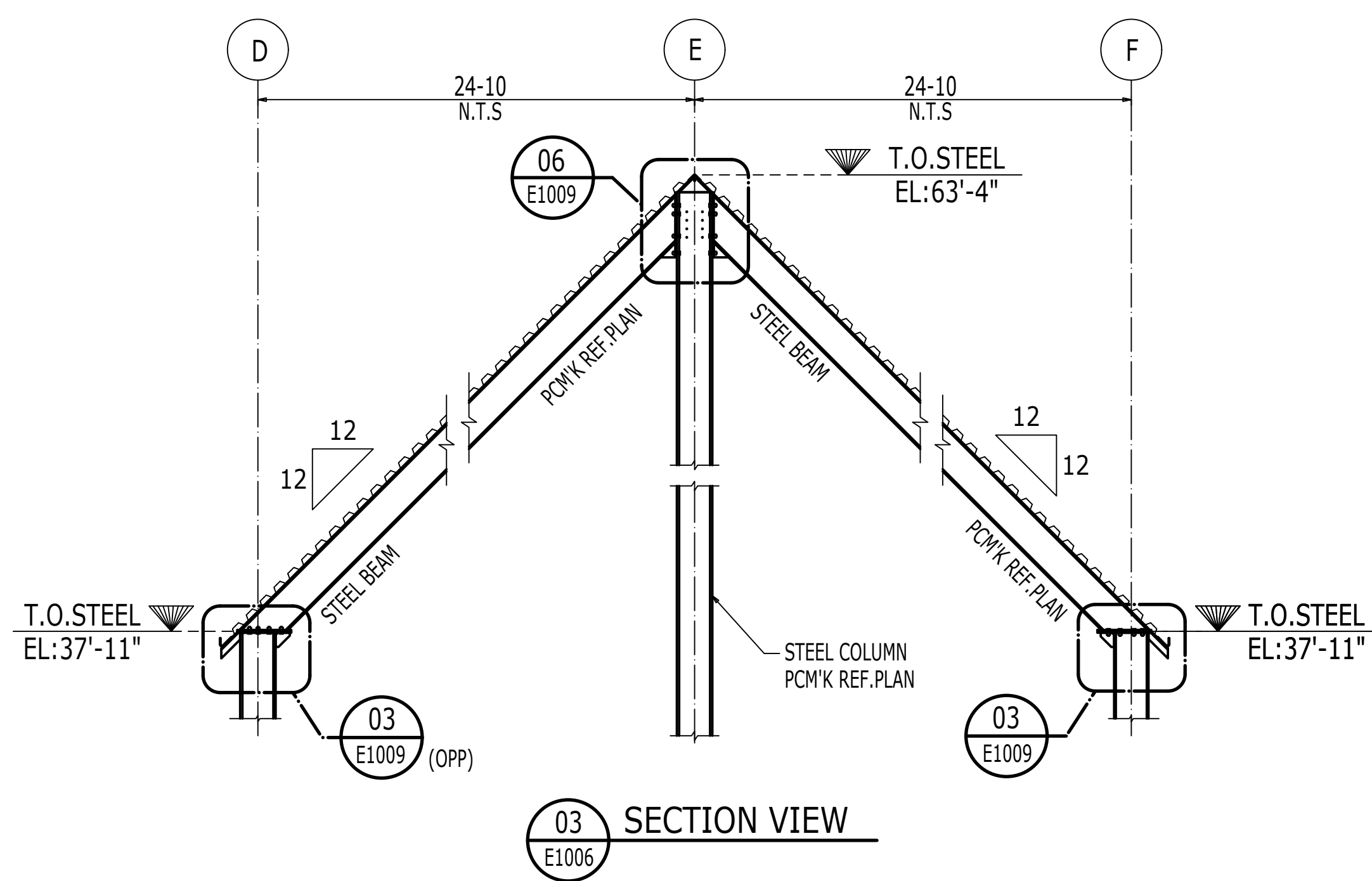


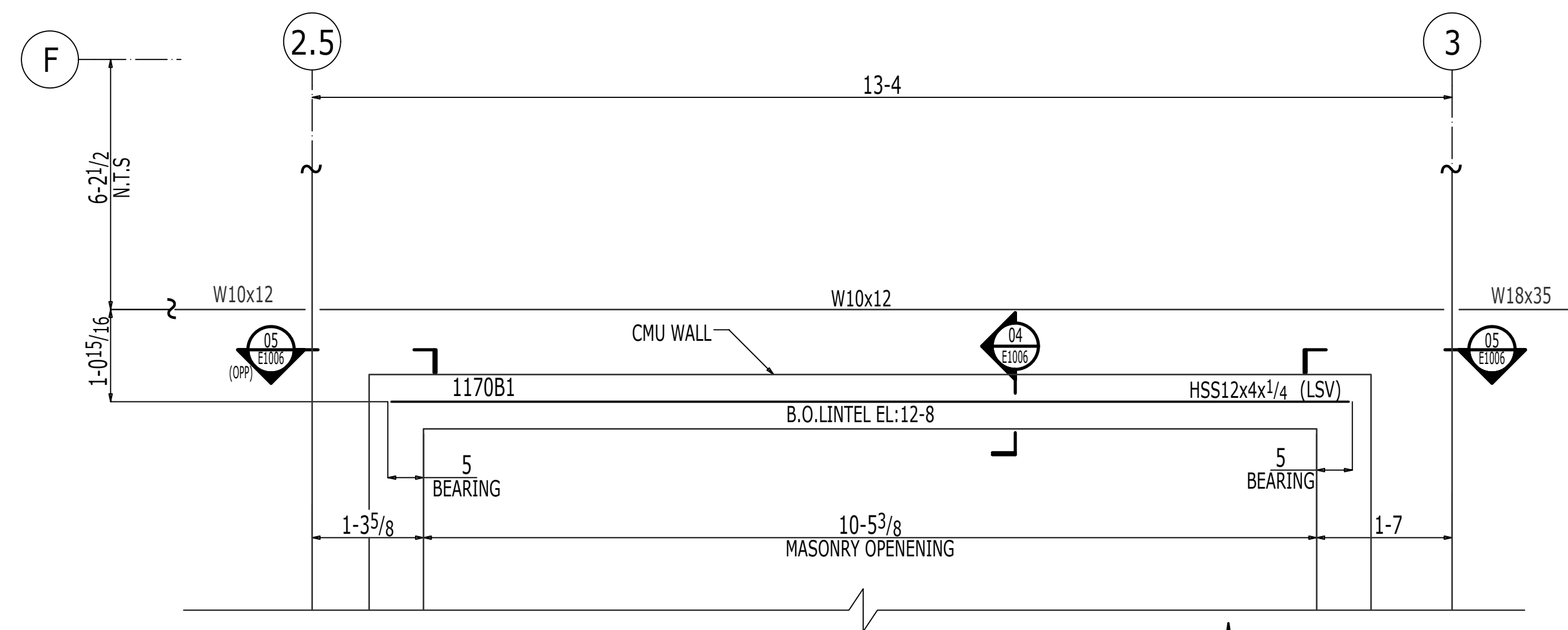
01 SECTION VIEW  
E1006



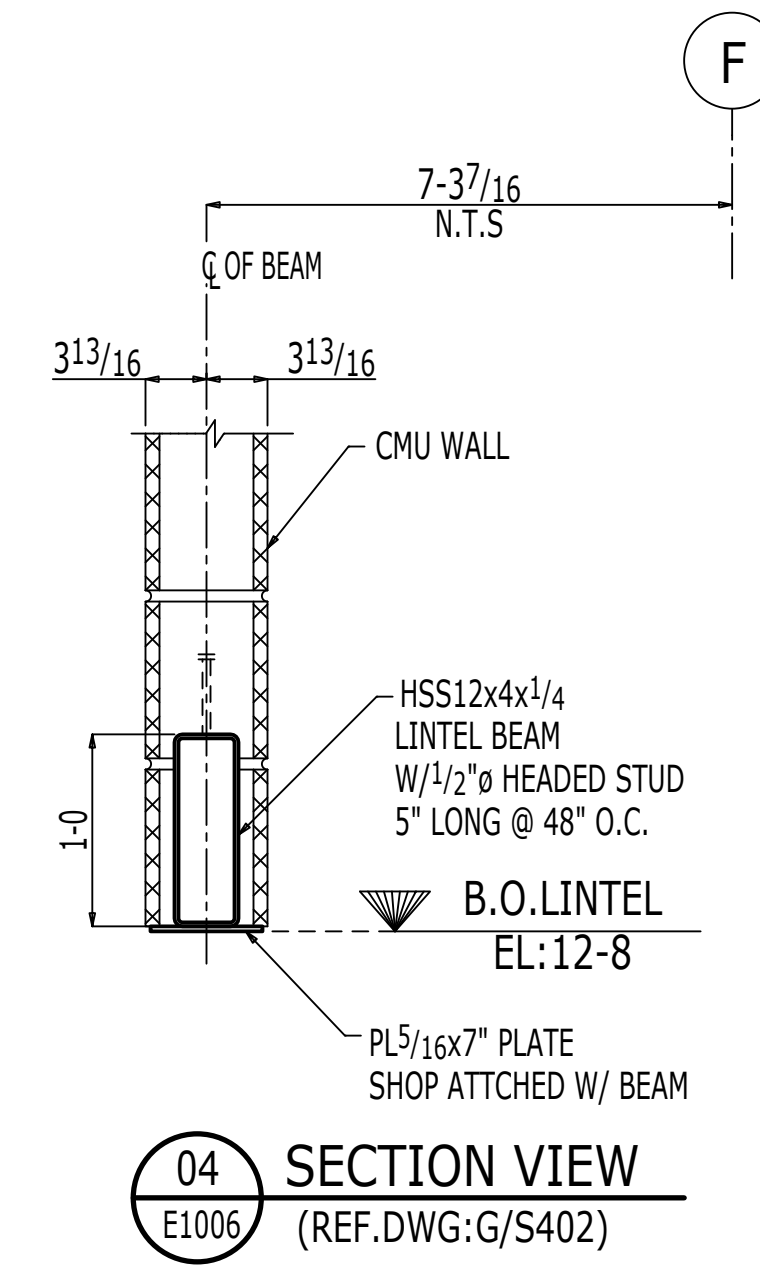
02 SECTION VIEW  
E1006



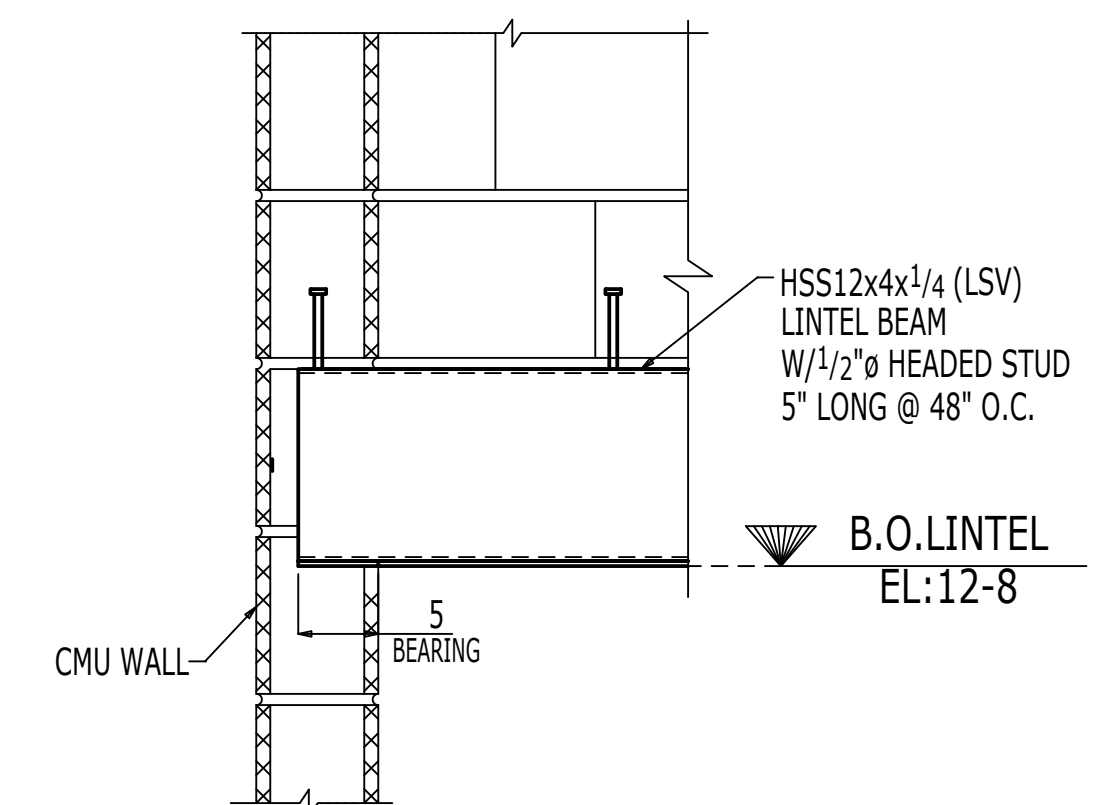
03 SECTION VIEW  
E1006



DETAIL-3  
SEQ# 1 LEVEL-2 LINTEL PLAN  
(REF.DWG: S202A)



04 SECTION VIEW  
(REF.DWG:G/S402)  
E1006



05 SECTION VIEW  
(REF.DWG:F/S402)  
E1006

ISSUE/REVISIONS			
REV	BY	DATE	DESCRIPTION

FIELD CONNECTION NOTES: BOLTS: 3/4" DIA A325N-TC BOLTS UNO WELDING: AWS E70XX		STRUCTURE:	
		LOCATION:	
		ARCHITECT:	
		ENGINEER:	
		CUSTOMER:	
DRAFTER:		SHOP ORDER	SHEET NO.
REF:		CHECKER:	