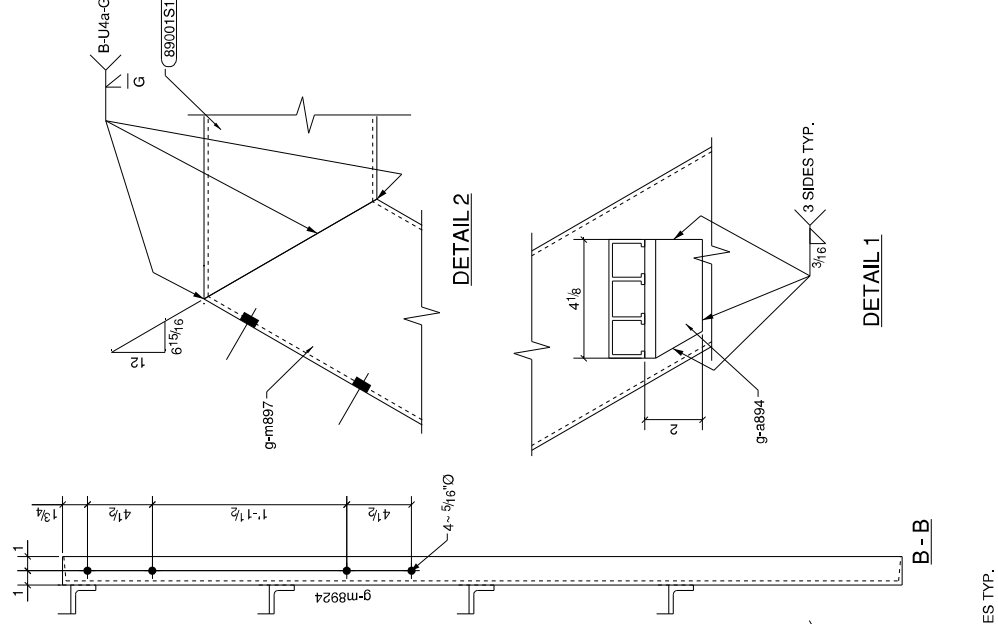
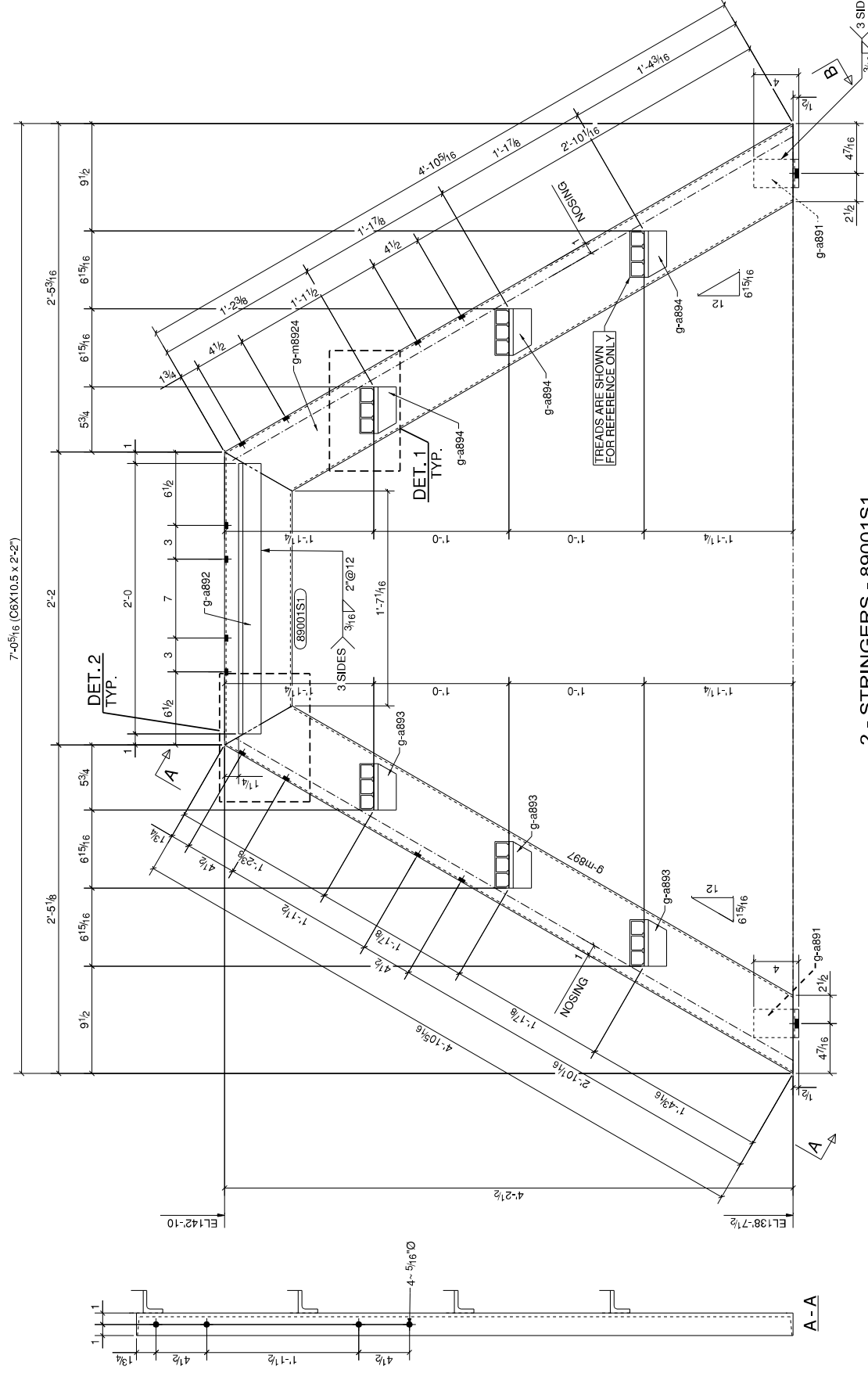
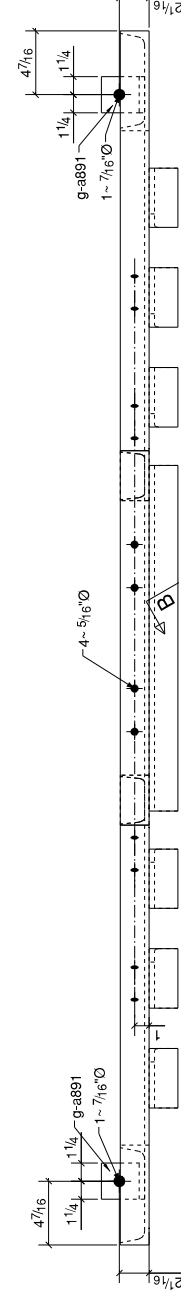


BILL OF MATERIAL

SEQ	SEQ	SHIP	TOTAL	LENGTH	ASSEM.	ABM	REMARKS
NO	QTY	MARK	QTY	FT.	IN.		
89	2	89001S1	2	2'-2"			A36
			4	0'-2.12"			A36
			2	2'-0"			A36
			6	0'-4.18"			A36
			6	0'-4.18"			A36
			2	4'-10.516"			A36
			2	4'-10.516"			A36



2 - STRINGERS - 89001S1
REF DWG NO. 89E1.89E2