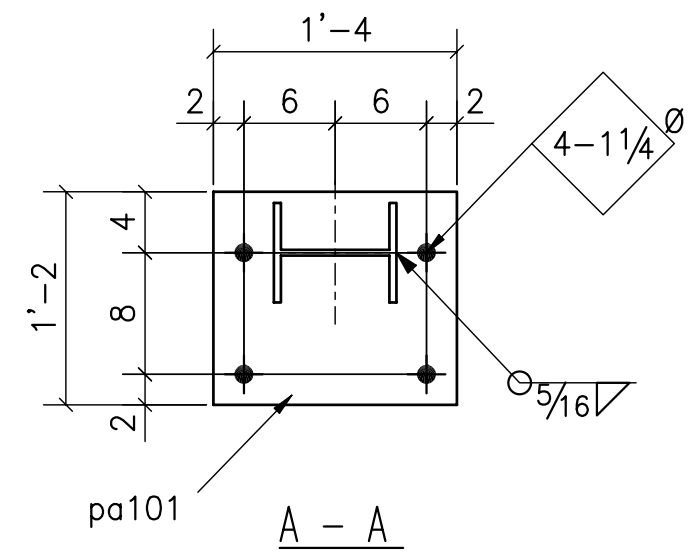
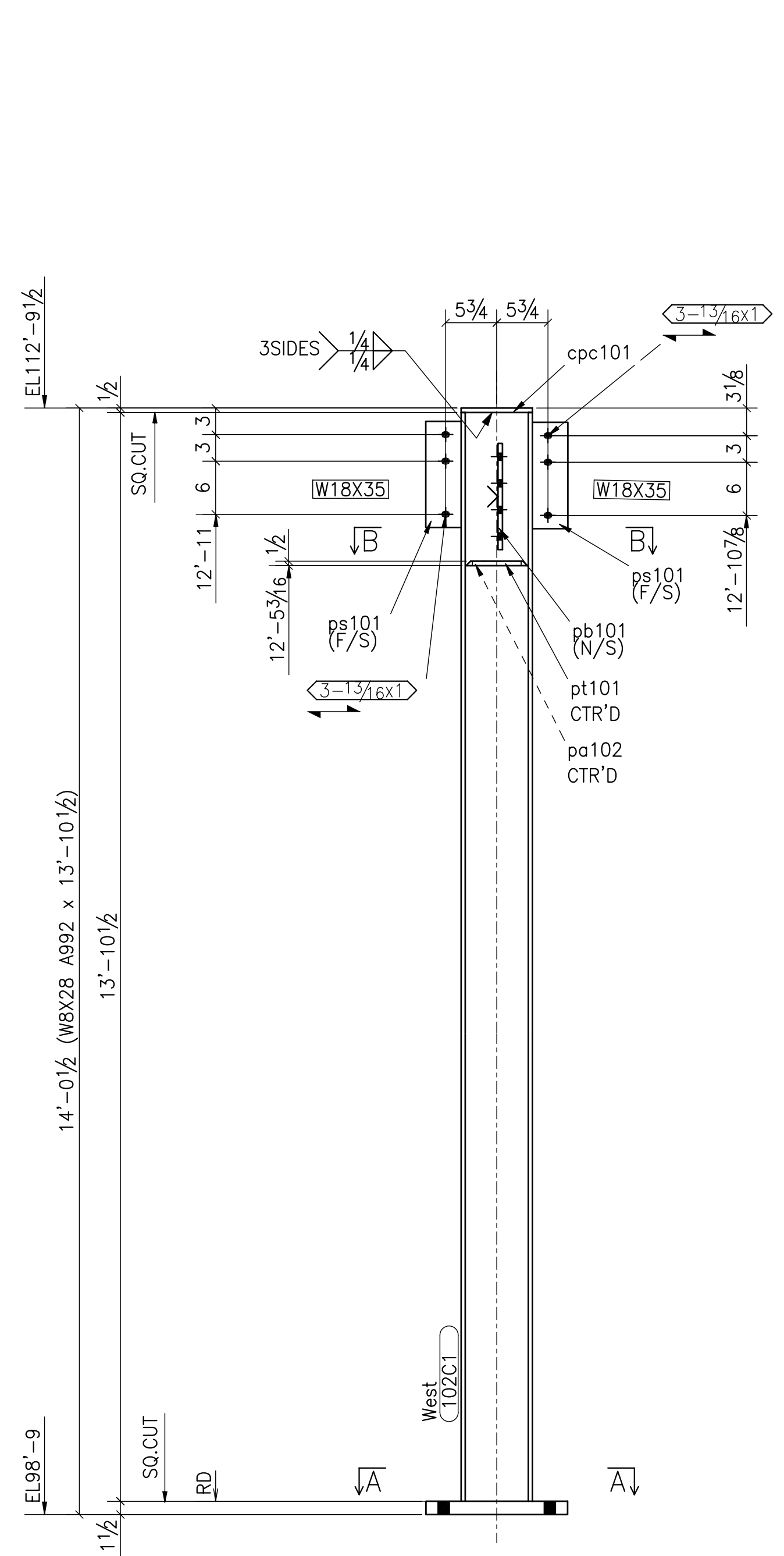
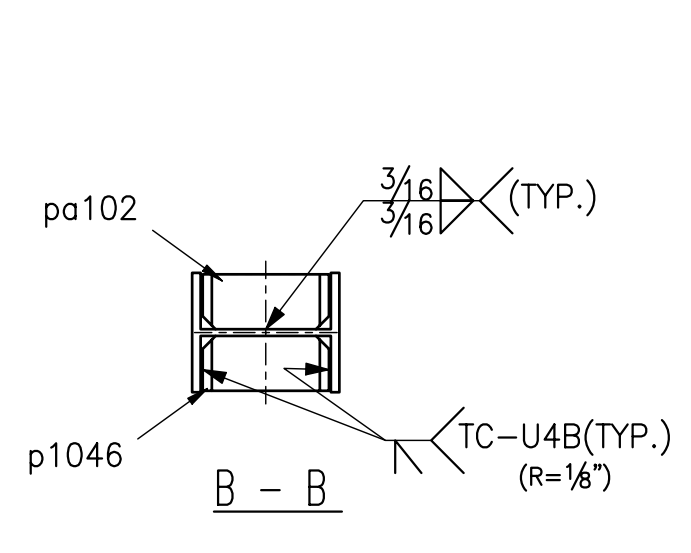
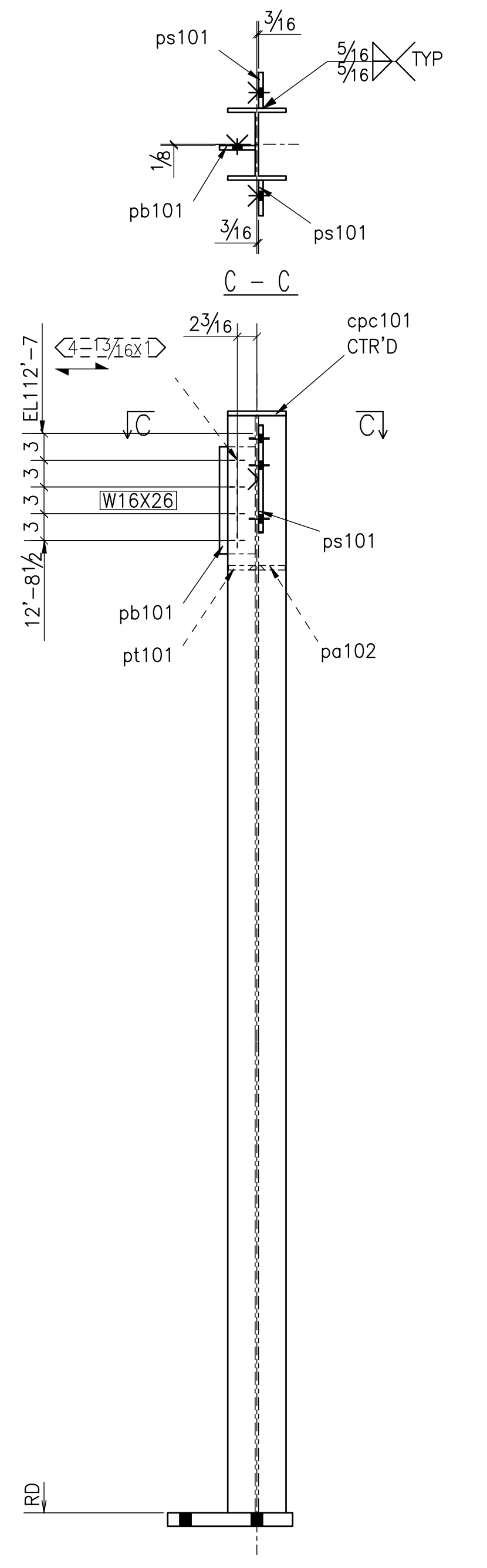


LINE ITEM	SHIPPING LIST		BILL OF MATERIAL				
	NO. PCS	ASSEMBLY MARK	PART MARK	SHAPE	LENGTH FT IN	ADV. BILL	REMARKS
1							
2	1	102C1		W8X28	13'-10 1/2"		A992
3	1		cpc101	PL1/2X6 9/16	0'-8 1/16"		
4	1		pa101	PL1 1/2X14	1'-4"		HP
5	1		pa102	PL1/2X3	0'-6 15/16"		
6	1		pb101	PL1/2X4	1'-0"		HP, NP
7	2		ps101	PL1/2X4	1'-0"		HP
8	1		pt101	PL1/2X3	0'-6 15/16"		
9							
10	1	102C2		W8X28	13'-3 9/16"		A992
11	1		cpc101	PL1/2X6 9/16	0'-8 1/16"		
12	1		pa101	PL1 1/2X14	1'-4"		HP
13	1		pa102	PL1/2X3	0'-6 15/16"		
14	1		pb101	PL1/2X4	1'-0"		HP, NP
15	1		pb102	PL1/2X4	1'-0"		HP
16	1		pt101	PL1/2X3	0'-6 15/16"		

ASSM. MK.	TOTAL QTY	UNIT QTY	FIELD BOLTS	LENGTH	REMARKS



ONE COLUMN 102C1
 W 8 1/16" x 3/8"
 F 6 9/16" x 7/16"
 (GRID 5/D-E)



ONE COLUMN 102C2
 W 8 1/16" x 3/8"
 F 6 9/16" x 7/16"
 (GRID 7/D-E)

