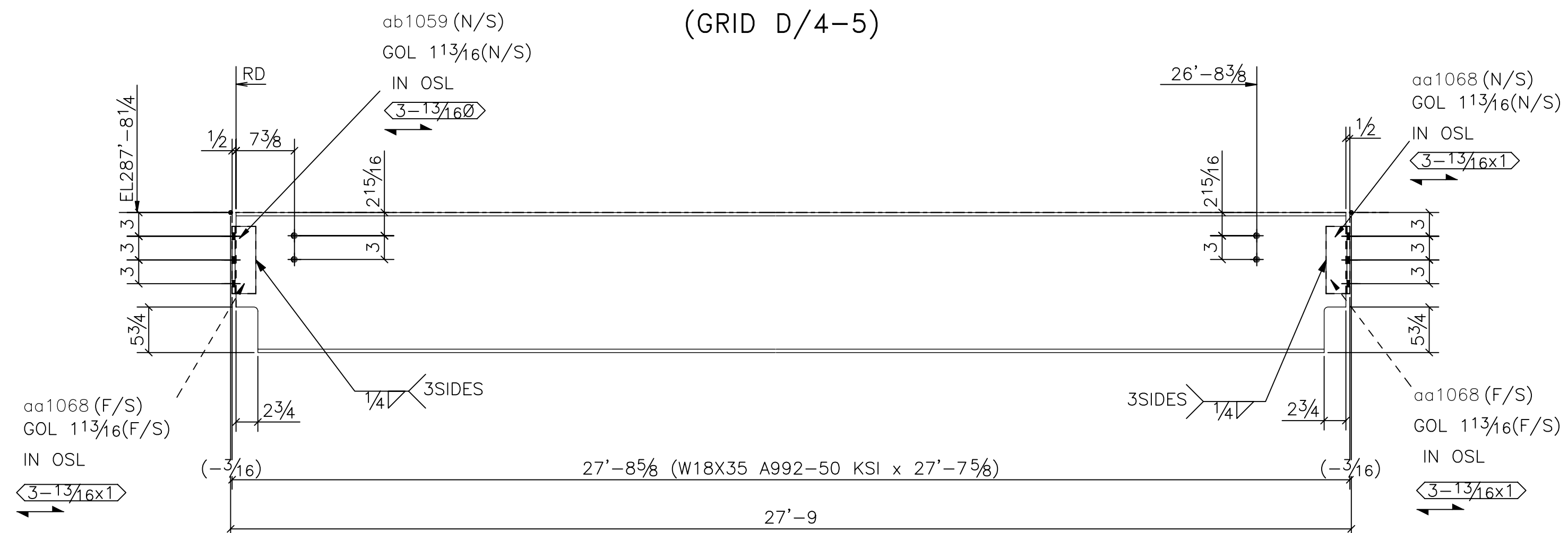


ONE BEAM 1059A

W 17 11/16" x 3/8"  
F 6" x 7/16"

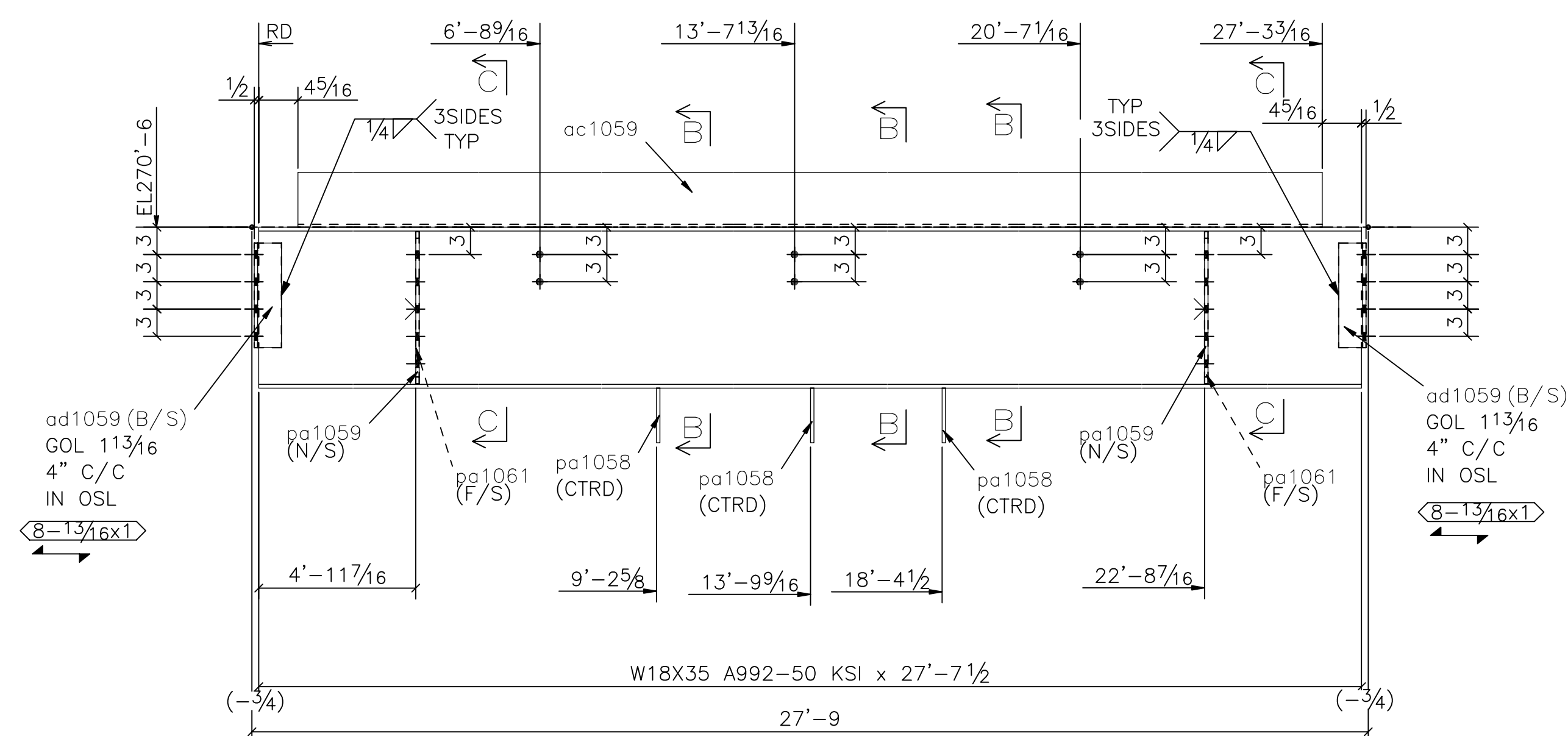
(GRID D/4-5)



ONE BEAM 1059B

W 17 11/16" x 3/8"  
F 6" x 7/16"

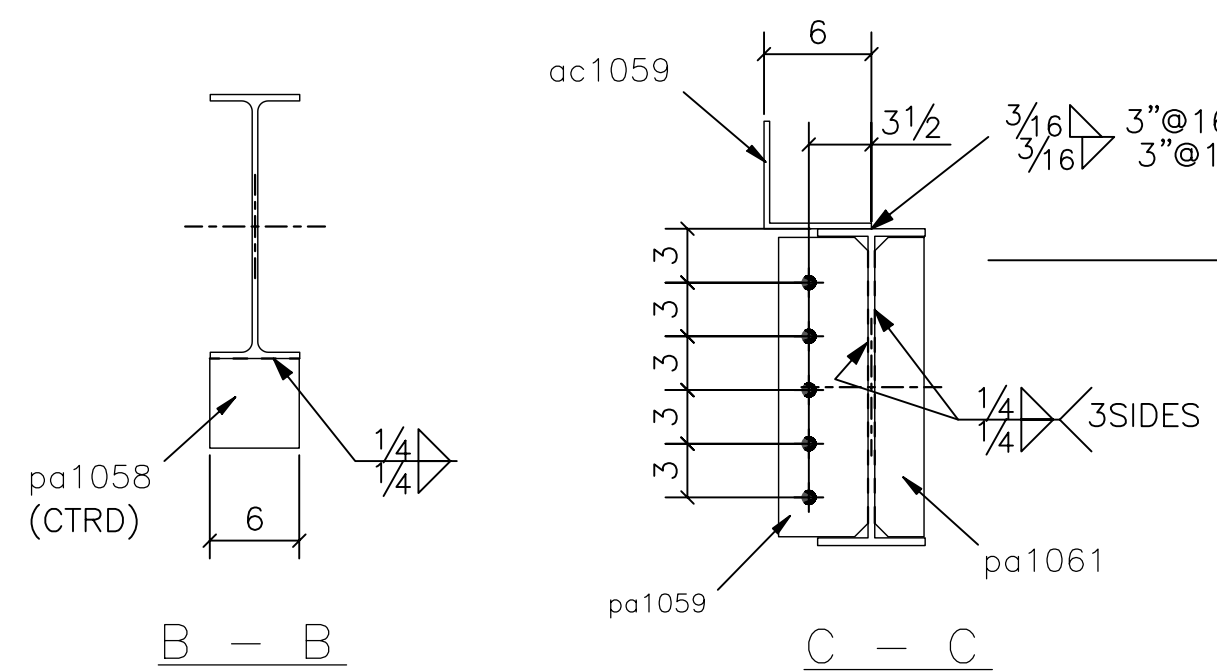
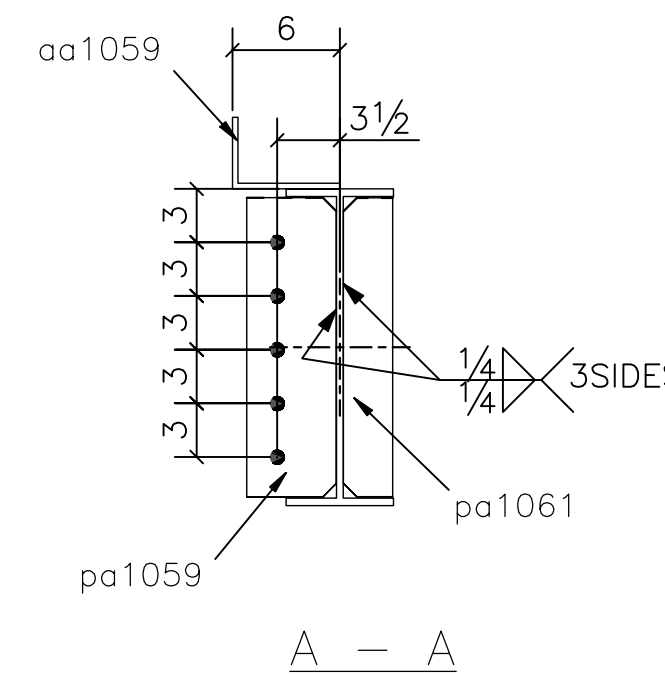
(GRID E/4-5)



ONE BEAM 1059C

W 17 11/16" x 3/8"  
F 6" x 7/16"

(GRID D/2-3)



| SEQUENCE |     |     |     | SHIPPING LIST |         | BILL OF MATERIAL |           |             |           |        |           |             |
|----------|-----|-----|-----|---------------|---------|------------------|-----------|-------------|-----------|--------|-----------|-------------|
| 10A      | 10B | 10C | 10D | LINE ITEM     | NO. PCS | ASSEMBLY MARK    | PART MARK | SHAPE       | LENGTH FT | IN     | ADV. BILL | REMARKS     |
|          |     |     |     | 1             |         |                  |           |             |           |        |           |             |
| 1        | 0   | 0   | 0   | 2             | 1       | 1059A            |           | W18X35      | 32'-1     | 7/16"  | 1002/21   | A992-50 KSI |
|          |     |     |     | 3             | 1       |                  | aa1059    | L6X4X5/16   | 32'-1     | 7/16"  |           |             |
|          |     |     |     | 4             | 4       |                  | az463     | L4X3X5/16   | 0'-11     | 1/2"   |           |             |
|          |     |     |     | 5             | 2       |                  | pa1059    | FL3/8X5     | 1'-4      | 3/4"   |           |             |
|          |     |     |     | 6             | 2       |                  | pa1061    | FL3/8X2 3/4 | 1'-4      | 11/16" |           |             |
|          |     |     |     | 7             |         |                  |           |             |           |        |           |             |
| 0        | 0   | 0   | 1   | 8             | 1       | 1059B(?)         |           | W18X35      | 27'-7     | 5/8"   | 1002/20   | A992-50 KSI |
|          |     |     |     | 9             | 2       |                  | aa1068    | L3X3X3/8    | 0'-8      | 1/2"   |           |             |
|          |     |     |     | 10            | 1       |                  | aa1068(?) | L3X3X3/8    | 0'-8      | 1/2"   |           |             |
|          |     |     |     | 11            | 1       |                  | ab1059(?) | L3X3X3/8    | 0'-8      | 1/2"   |           |             |
|          |     |     |     | 12            |         |                  |           |             |           |        |           |             |
| 0        | 0   | 1   | 0   | 13            | 1       | 1059C            |           | W18X35      | 27'-7     | 1/2"   | 1002/20   | A992-50 KSI |
|          |     |     |     | 14            | 1       |                  | ac1059    | L6X6X5/16   | 26'-10    | 7/8"   |           |             |
|          |     |     |     | 15            | 4       |                  | ad1059    | L3X3X3/8    | 0'-11     | 1/2"   |           |             |
|          |     |     |     | 16            | 3       |                  | pa1058    | FL3/8X6     | 0'-6"     |        |           |             |
|          |     |     |     | 17            | 2       |                  | pa1059    | FL3/8X5     | 1'-4      | 3/4"   |           |             |
|          |     |     |     | 18            | 2       |                  | pa1061    | FL3/8X2 3/4 | 1'-4      | 3/4"   |           |             |